



DOMASZ

GENERAL CATALOGUE

2023/2024





DOMASZ

Complete weighing, packaging and palletizing systems

DOMASZ is proud to present its latest product catalogue for 2023/2024.

The solutions we present in this catalogue are the result of our many years of activity in the area of weighing, packaging and palletising systems.

We are convinced that our experience will contribute to the efficiency and profitability of processes in many companies and to their success in the market.

We build on experience.

We design. We construct. We automate.

Our many years of experience allows us to deliver machines based on well-thought-out and proven solutions. We believe that every machine can be unique, which is why we pay special attention to every stage of its creation. From the design, through the manufacturing of parts, to the precise assembly.

Tomasz Waligóra, *owner of the Domasz company*

Company history

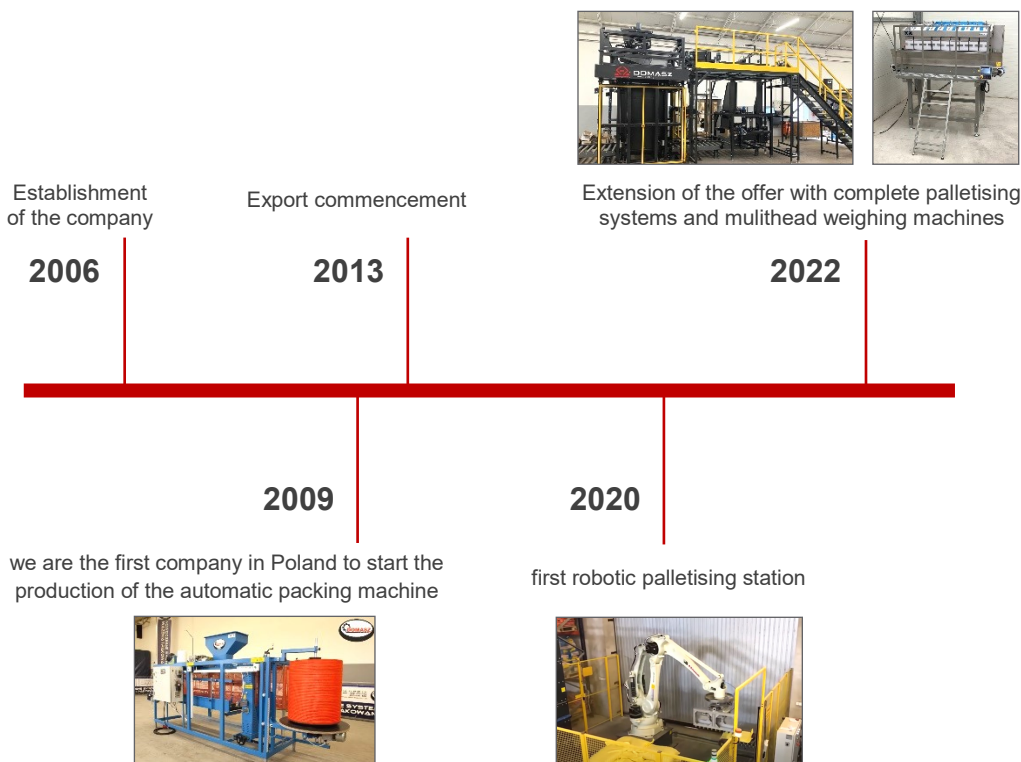
Domasz company was founded in 2006 by Tomasz Waligóra, who comes from a family with a multi-generational farming tradition. The beginnings of the company date back to the year 2000, when Tomasz started constructing machinery for his own vegetable farm. As a farmer, he saw the need for safe and reliable weighing and packaging systems.

In 2006, Domasz company officially entered the Polish market with an emphasis on innovative and well thought-out solutions. The first mass-produced device of the company was the WE-50 PLUS weighing machine, which is still produced until this day. This was the first step of the Domasz company's commitment to providing functional machines combined with professional consultancy, training, as well as warranty and post-warranty service.

In 2013, Domasz took a significant step forward by starting to expand into Southern and Eastern European markets. This expansion opened up new opportunities for the company, with its products gaining recognition and success in these parts of the world.

Another milestone was reached in 2022, when Domasz expanded its offering to include complex palletising systems and unrivalled multhead weighing machines.

Today, after 17 years in business, with a strong foundation and a growing reputation, Domasz aims to further expand and upgrade its range. The company's mission for the future is to provide end-to-end solutions, from goods receipt to palletisation, meeting the needs of the most demanding customers.



Contents of the catalogue

VEGETABLES			
Reception and buffering	Mobile reception baskets	KP-12 KP-17	6
	Stationary reception baskets	KPW-650 KPW-1000 KPW-3000	8
	Box pallet tippers	WS-1600/1000 WS-1800/1000	9
	Dosing buffers	BD-4 BD-6	10
	Dosing buffers with box tipper	KD KD-M	11
Washing and polishing	Semi-automatic washer	MDW-300 MDW-400	12
	Automatic washers	MB500 MB500	13
	Brush cleaners	CS-55 CS-110	14
	Polishers	PD8200 PD9200 PD9300	15
Belt grader	Roller selection tables	SSR	16
	Cost-effective roller selection tables	SSR Eco	17
	Belt selection tables	SST	18
	Belt grader	SO 900/2500	19
	Stone separator	SK7010	20
Weighing	Onion tip cutter	OM2 OM3	21
	Vegetable belt weighers	WE-15 PLUS WE-30 IV WE-30 PLUS WE-50 PLUS	22
	Multihead weighers	R04XXL R09L R12L R09XXL R12XXL	24
Packing	Big-Bag weighers	BBW-1 BBW-2	26
	Box filler	NS	27
	Raschel bag packing machine	RA-1	28
Examples of machine configurations	Onion sorting		30
	Preparation of bags and cartons		31
LOOSE MATERIALS			
Reception and buffering	Hoppers	KPS 1 KPZ 1	33
Weighing	Loose material weighers	WE-50 III WE-50 DUO WE-50 V WE-50 VH	34
	Big-bag weigher	BBS-2	36
Sealing of bags	Bag sealing systems	ZW-1 ZW-2	37
Examples of machine configurations	Weighing and packaging of pellets		38
PALLETISING SYSTEMS			
Paletyzatory	Cartesian palletisers	PK-2 PK-4 PK-6	40
	Push-type palletisers	PD-6 PD-8	44
	Robotised palletising systems	PR-1W	46
Examples of machine configurations	High-performance vegetable line		48
	Rapeseed middlings line		49
Alphabetical index			50

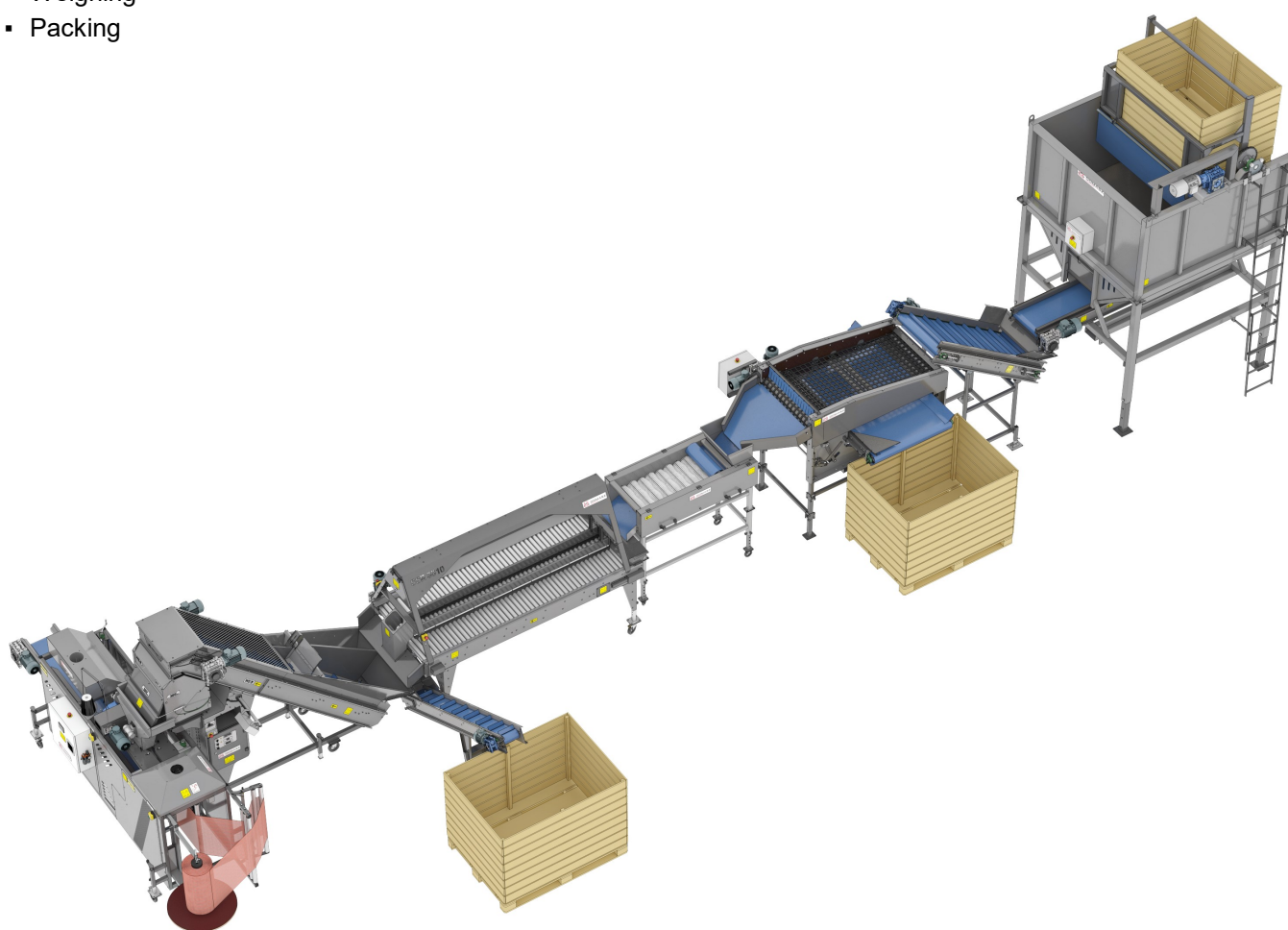
Complete solutions for vegetables

Chapter introduction

The wide range of machines designed for vegetables allows the creation of the most diverse configurations, from single machines, through several machines working together, to complete process lines operating in an automatic cycle.

With these solutions, it is possible to perform:

- Receiving and buffering
- Washing and polishing
- Sorting and selection
- Weighing
- Packing



Mobile reception baskets

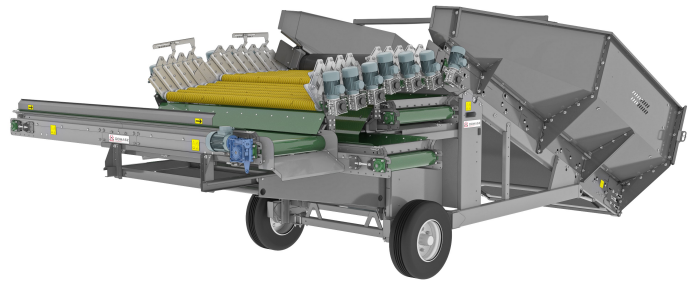
KP series

Product description

Mobile reception bins are the start of process lines. Their task is to receive the goods and dispense them evenly onto the line. Models in the KP series are used for unloading rear-tipping trailers.



KP-12

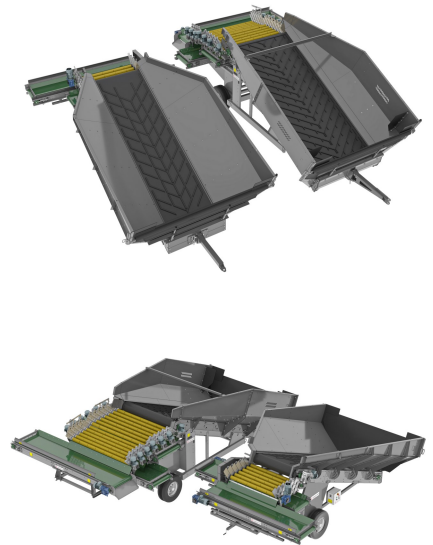


KP-17

Specyfikacja

	KP-12	KP-17
Efficiency	8.0 m ³	11.5 m ³
Efficiency	5-25 t/h	5-40 t/h *
Width of feed belt	1200 mm	1700 mm
Number of sections	1	2
Spacing of separating rollers - section 1	20-60 mm	20-40 mm
Spacing of sorting rollers - section 2	N/A	20-100 mm
Number of discharge belts	2	3
Roller spacing adjustment	Manual	Hydraulic
Variable speed control of the separating rollers	No (yes, as an option)	Yes
Angular adjustment of sorting rollers (hydraulic)	No	Yes
Number of separating rollers	6	13
Electrical connection	3x400 VAC (N) PE 50 Hz; 5m cable with 32A 5P 6h connector	
	2.6 kW	10.2 kW
Pneumatic connection	-	-
Ambient conditions	from -5 to 40 degrees Celsius	

* By using a variator to increase the performance range



Standard equipment

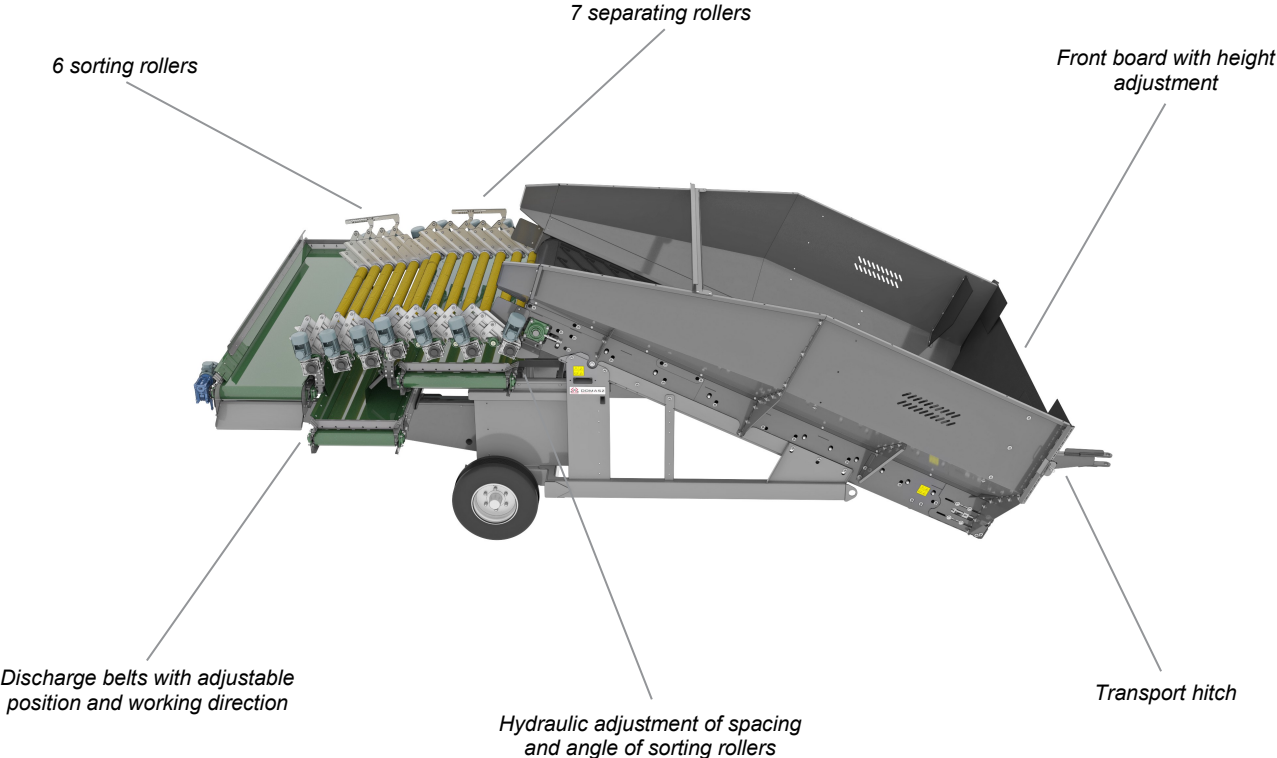
- Variable speed control of the metering belt (inverter)
- Variable speed control of the discharge belts (inverters)
- Chevron-type feeding belt
- Portable remote control (4m cable)
- Socket for integration into an external control device
- Construction made of shot-blasted steel and double powder-coated (except for support frame)

Optional equipment

- Increased speed of metering belt in case of limited quantities (KP17)
- Variable speed control for separating rollers (KP-12)

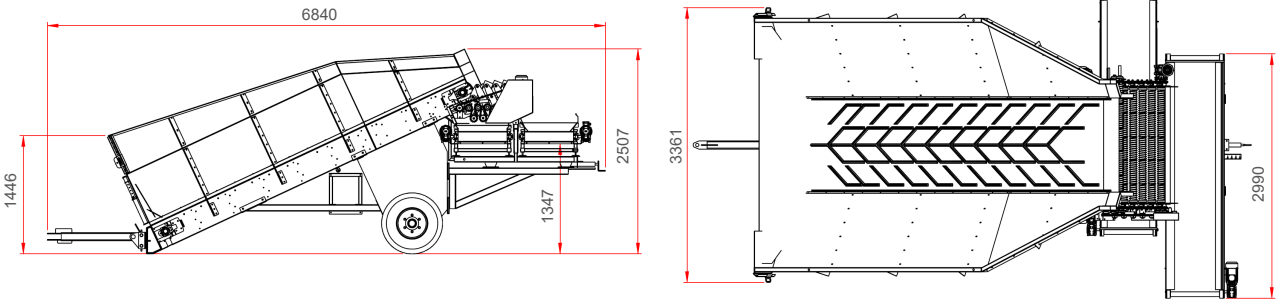
Construction of the device

Using the KP-17 basket as an example

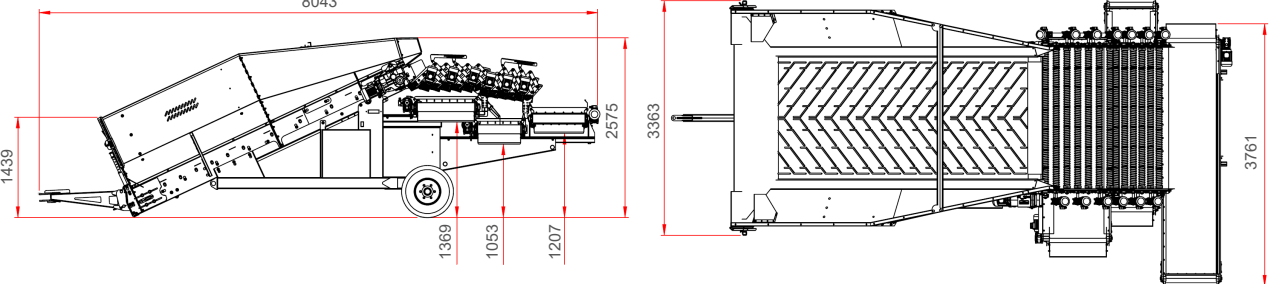


External dimensions

KP12:



KP17:



Stationary reception baskets

KPW series

Product description

The receiving hoppers are the start of the processing line. Their task is to receive the goods and evenly dispense them into the line. In the KPW series, goods are received from box pallets or big-bags.



KPW-650



KPW-1000



KPW-3000

Specification

	KPW-650	KPW-1000	KPW-3000
Capacity	2.7 m ³	3.4 m ³	5.3 m ³
Efficiency	up to 6 t/h	up to 10 t/h	up to 10 t/h
Belt width	650 mm	1000 mm	1000 mm
Spacing of separating rollers	20 mm	20 mm	20 mm
Number of separating rollers	6	6	6
Electrical connection	3x400 VAC (N) PE 50 Hz; 5m cable with 32A 5P 6h connector		
	1.3 kW	1.3 kW	1.3 kW
Pneumatic connection	-	-	-
Ambient conditions	from -5 to 40 degrees Celsius		



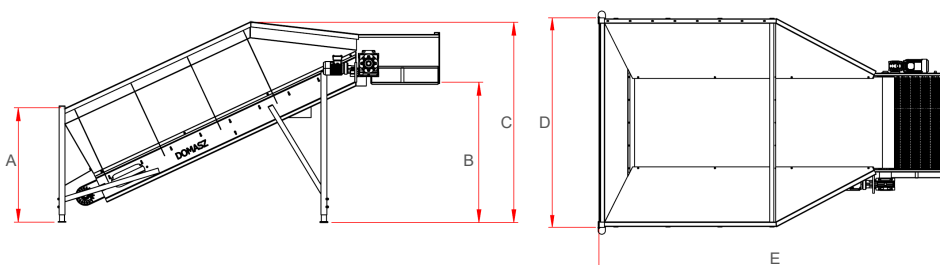
Standard equipment

- Variable speed control of the metering belt (inverter)
- Chevron-type feeding belt
- Portable remote control (4m cable)
- Socket for integration into an external control device
- Construction made of shot-blasted steel and double-painted steel

Optional equipment

- Stainless steel construction
- Belt certified for food contact
- Adjustable spacing of separation rollers (20-60 mm)

External dimensions



	A	B	C	D	E
KPW-650	1155	1422	2032	1949	3846
KPW-1000	1160	1424	2034	2298	3864
KPW-3000	1501	1397	1925	3378	4240

Box pallet tippers

WS series

Product description

Tipplers are used to unload box pallets of goods.



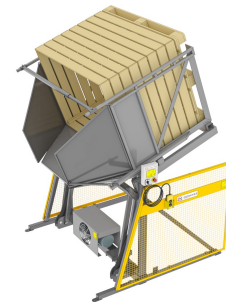
WS-1600/1000



WS-1800/1000

Specification

	WS-1600/1000	WS-1800/1000
Maximum size of box pallets	1600x1000 mm	1800x1000 mm
Maximum weight of box pallets	1000 kg	1200 kg
Electrical connection	3x400 VAC (N) PE 50 Hz; 5m cable with 32A 5P 6h connector	
	2.2 kW	2.2 kW
Pneumatic connection	-	-
Ambient conditions	from -5 to 40 degrees Celsius	



Tippler in top position

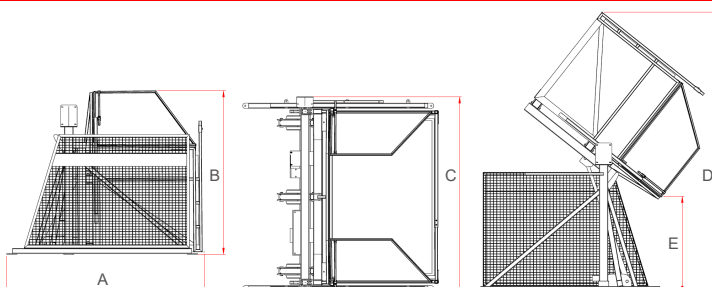
Standard equipment

- Possibility of loading by hand pallet truck
- Variable speed control of the spacing between box pallet supports
- Adjustable flaps allowing the outlet width to be varied
- Wired remote control (3m)
- Socket for integration into an external control device
- Construction made of shot-blasted steel and double powder-coated

Optional equipment

- Automatic discharge and lowering of the box pallet (includes: wireless remote control, shaking function, socket for connection of bin level sensor on the unit to which we are discharging)

External dimensions



	A	B	C	D	E
WS-1600/1000	2040	1895	2025	3052	1066
WS-1800/1000	2270	1873	2260	3208	1099

Dosing buffers

BD series

Product description

BD buffers are the start of process lines. Their function is to buffer and evenly dispense the goods onto the line.



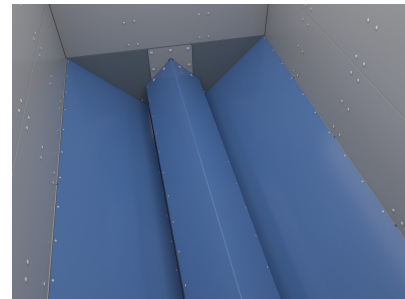
BD-4



BD-6

Specification

	BD-4	BD-6
Capacity	4 m ³	6 m ³
Belt width	500 mm	500 mm
Electrical connection	3x400 VAC (N) PE 50 Hz; 5m cable with 32A 5P 6h connector	
	1.1 kW	1.1 kW
Pneumatic connection	-	-
Warunki otoczenia	from -5 to 40 degrees Celsius	



Material that limits vegetable damage

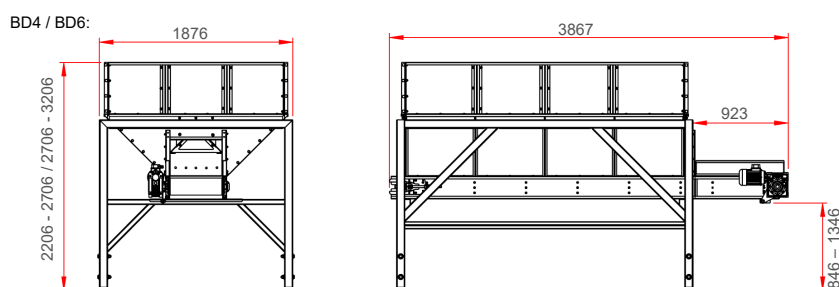
Standard equipment

- Variable speed control of the metering belt (inverter)
- Height-adjustable support legs
- Socket for integration into an external control device
- Construction made of shot-blasted steel and double powder-coated (except for support frame)

Optional equipment

- Galvanised steel interior sheets
- Shock absorbing cascades
- Goods level sensor
- Interior of buffer lined with material to reduce damage to goods

External dimensions

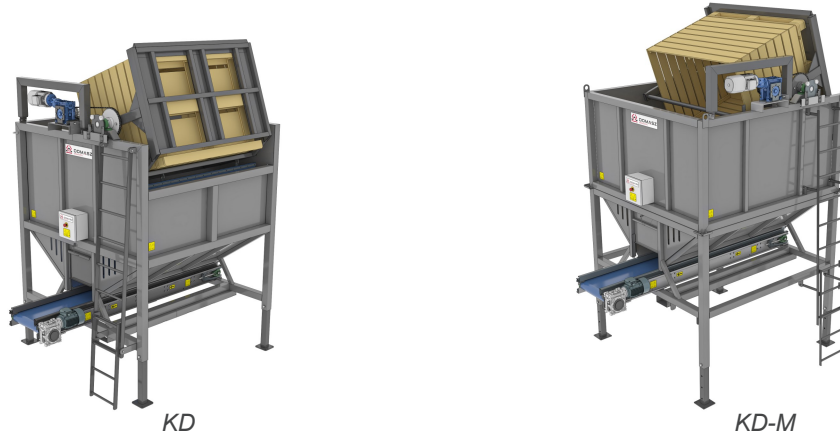


Dosing buffers with box pallet tippers

KD series

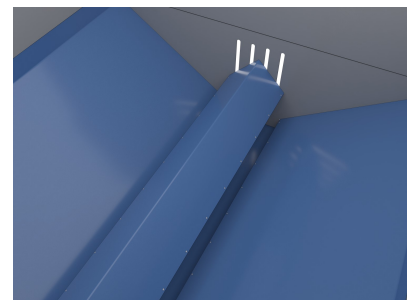
Product description

The KD buffer tank is located at the beginning of the processing line and fulfils two key functions: buffering the goods and supplying them evenly to the line. The integrated box pallet tipper makes efficient use of the production floor space.



Specification

	KD	KD-M
Capacity	4 m ³	4 m ³
Belt width	420 mm	420 mm
Possibility to mount the tipper on the buffer	from one side	from 3 sides
Electrical connection	3x400 VAC (N) PE 50 Hz; 5m cable with 32A 5P 6h connector	
	1.9 kW	1.9 kW
Pneumatic connection	-	-
Ambient conditions	from -5 to 40 degrees Celsius	



Material that limits vegetable damage

Standard equipment

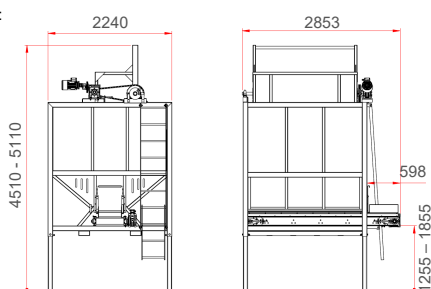
- Tipper integrated with buffer
- Variable speed control of the metering belt (inverter)
- Height-adjustable support legs
- Portable remote control (4mb cable)
- Socket for integration into an external control device
- Construction made of shot-blasted steel and double powder-coated (except for support frame)

Optional equipment

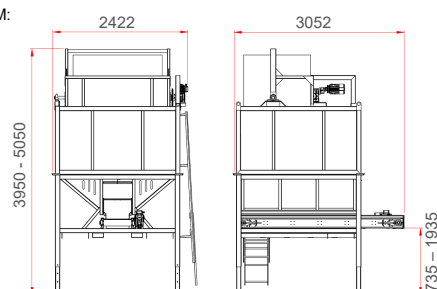
- Automatic discharge and lowering of the box pallet (includes wireless remote control)
- Interior of buffer lined with material to reduce damage to goods

External dimensions

KD:



KD-M:

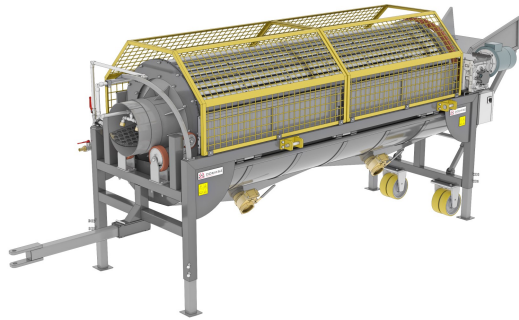


Semi-automatic washers

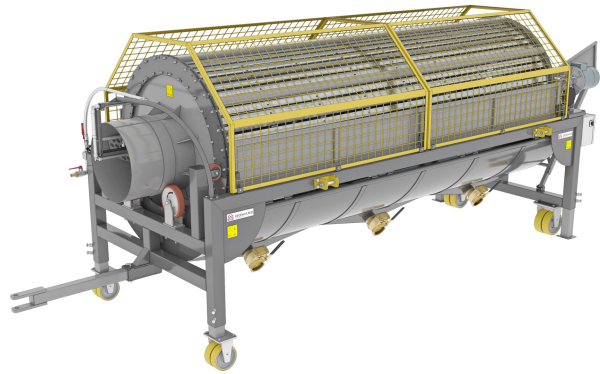
MDW series

Product description

The washers are used for wet cleaning of vegetables. The MDW series is a basic series of washers where the water level in the washing drum is regulated manually.



MDW-300



MDW-400

Specification

	MDW-300	MDW-400
Drum diameter	1000 mm	1500 mm
Drum length	3000 mm	4000 mm
Efficiency *	up to 10 t/h	up to 15 t/h
Electrical connection	3x400 VAC (N) PE 50 Hz; 5m cable with 32A 5P 6h connector	
	3.0 kW	5.5 kW
Pneumatic connection	-	-
Ambient conditions	from 0 to 40 degrees Celsius	



Depending on how dirty the vegetables are.

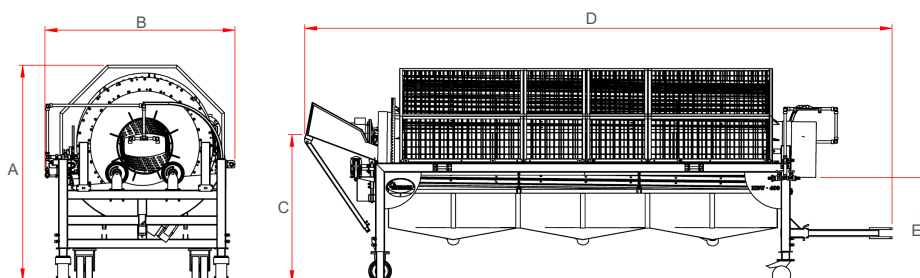
Standard equipment

- Variable speed control of the drum (inverter)
- Drain valves in the tub
- Drum covers
- Additional sprinkling at the outlet
- Transport hitch
- Socket for integration into an external control device
- Construction made of shot-blasted steel and double powder-coated

Optional equipment

- Grating on exit with 20mm spacing
- Grating on entry with 20mm spacing

External dimensions



	A	B	C	D	E
MDW-300	2048	1639	1606	5574	1174
MDW-400	2356	2083	1618	6446	1166

Automatic washers

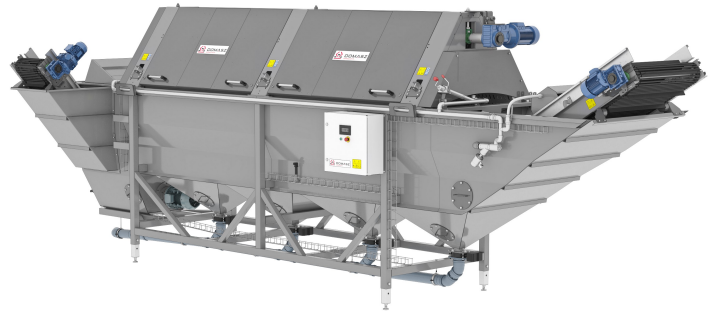
MB series

Product description

The washers are used for wet vegetable cleaning. In the MB series, the regulation of the water level in the washing drum and the removal of contaminants take place automatically.



MB500



MBZ500

Specification

	MB500	MBZ500
Drum diameter	1200 mm	1200 mm
Drum length	5000 mm	5000 mm
Efficiency *	up to 30 t/h	up to 30 t/h
Integrated destoner	No	Yes
Electrical connection	3x400 VAC (N) PE 50 Hz; 5m cable with 32A 5P 6h connector	
	25.9 kW	27.4 kW
Pneumatic connection	-	-
Ambient conditions	From 0 to 40 degrees Celsius	



* Depending on how dirty the vegetables are.

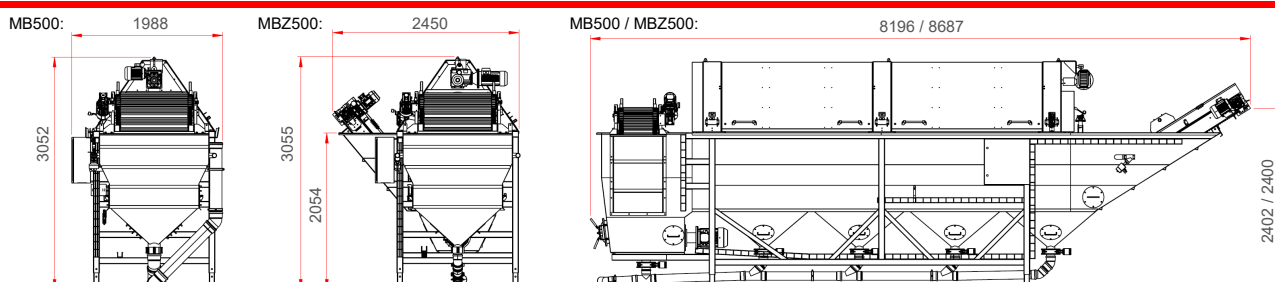
Standard equipment

- Fully automatic operation (filling with water, removal of contaminants during operation, shutdown in the event of a lack of water supply)
- 4 drain solenoid valves in the tub and water level sensor
- Drum made of stainless steel
- Additional output cleaning section
- Socket for integration into an external control device
- Construction made of shot-blasted steel and double powder-coated (except for support frame)

Optional equipment

- Grating on entry with 20mm spacing
- Grating on exit with 20mm spacing

External dimensions



Brush cleaners

CS series

Product description

Brushers are designed to dry-clean vegetables, allowing them to be cleaned safely without damaging their surface.



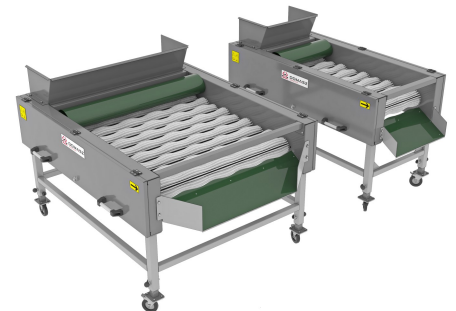
CS-55



CS-110

Specification

	CS-55	CS-110
Brush width	550 mm	1100 mm
Efficiency *	up to 5 t/h	up to 10 t/h
Number of brushes	10	10
Electrical connection	3x400 VAC (N) PE 50 Hz; 5m cable with 32A 5P 6h connector	
	0.75 kW	1.1 kW
Pneumatic connection	-	-
Ambient conditions	from -5 to 40 degrees Celsius	



* Depending on how dirty the vegetables are

Standard equipment

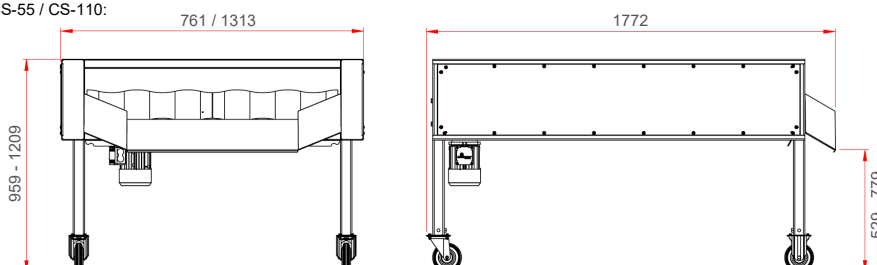
- Wavy cleaning brushes
- Constant brush speed
- Height-adjustable support legs
- PVC tape clamp
- Construction made of shot-blasted steel and double powder-coated

Optional equipment

- Variable speed control of brushes (includes inverter and socket for integration with external control device)
- Stainless steel construction
- Increase the number of brushes to 14

External dimensions

CS-55 / CS-110:



Polishers

PD series

Product description

The PD series machines are designed to polish vegetables that have been pre-washed. The cleaning process takes place using water and rotating brushes.



PD8200



PD9200



PD9300

Specification

	PD8200	PD9200	PD9300
Number of brushes	8	9	9
Brush length	2000 mm	2000 mm	3000 mm
Pendulum brush operation	No	Yes	Yes
Efficiency *	up to 2 t/h	up to 3 t/h	up to 4 t/h
Electrical connection	3x400 VAC (N) PE 50 Hz; 5m cable with 32A 5P 6h connector		
	4.0 kW	4.0 kW	4.0 kW
Pneumatic connection	-	-	-
Ambient conditions	from 0 to 40 degrees Celsius		



Interior of the PD8200 polisher

* Depending on how dirty the vegetables are

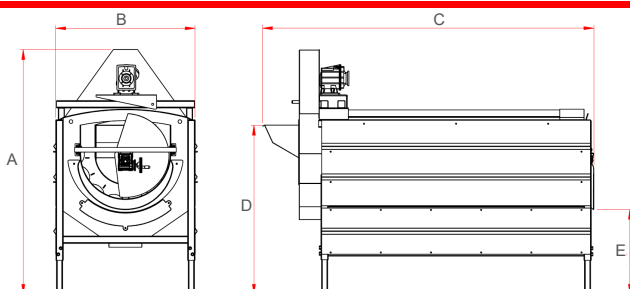
Standard equipment

- Variable speed control of brushes (inverter)
- Height-adjustable support legs
- Socket for integration into an external control device
- Construction made of galvanised steel; shot-blasted steel and double powder-coated

Optional equipment

- Tub for water recycling
- Stainless steel construction

External dimensions



	A	B	C	D	E
PD8200	2015	1153	2740	1393	701
PD9200	2400	1450	3250	1493	801
PD9300	2400	1450	4150	1493	801

Roller selection tables

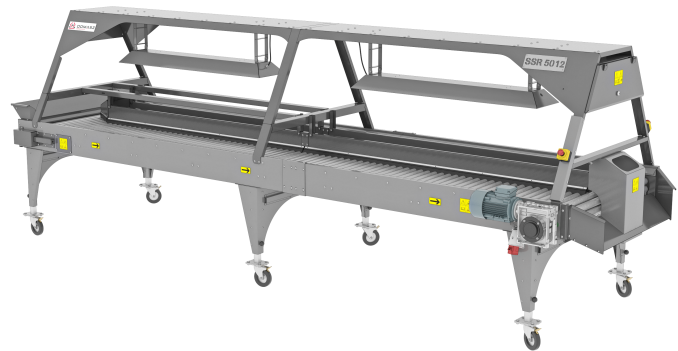
SSR series

Product description

SSR selection tables are used to manually sort oval vegetables. The rollers that the table is equipped with rotate to ensure rotation of the vegetables and thus enable them to be selected.



SSR 300x100



SSR 500x120

Available configurations

L / W	200 cm	250 cm	300 cm	400 cm	500 cm
80 cm	SSR 200x80	SSR 250x80			
100 cm		SSR 250x100	SSR 300x100		
120 cm			SSR 300x120	SSR 400x120	SSR 500x120

Specyfikacja

Electrical connection	3x400 VAC (N) PE 50 Hz; 5m cable with 32A 5P 6h connector 0.75 to 1.1 kW (depending on model)
Pneumatic connection	-
Ambient conditions	from -5 to 40 degrees Celsius



Double centre partition with configuration options

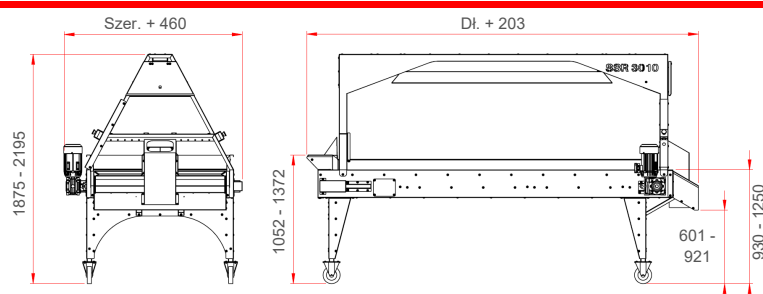
Standard equipment

- Variable speed control (inverter)
- Rollers made of aluminium
- Height-adjustable support legs
- Transport wheels with brakes
- Double centre partition with possibility of configuration
- Adjustable workspace lighting
- Socket for integration into an external control device
- Construction made of shot-blasted steel and double powder-coated

Optional equipment

- Rollers made of stainless steel
- All stainless steel construction (including rollers)
- Waste conveyor

External dimensions

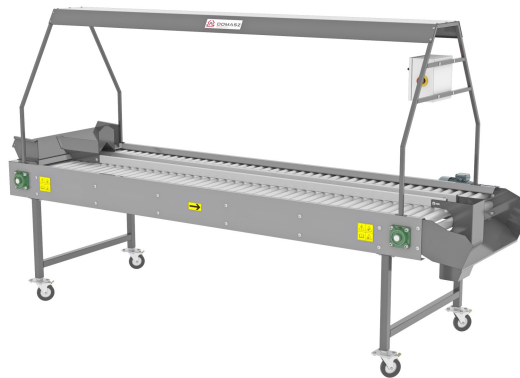


Roller selection tables

SSR Eco series

Product description

SSR selection tables are used to manually sort oval vegetables. The rollers that the table is equipped with rotate to ensure rotation of the vegetables and thus enable them to be selected.



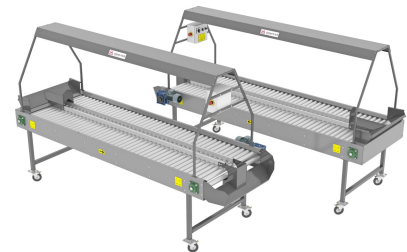
SSR Eco 300x100

Available configurations

L / W	200 cm	250 cm	300 cm
80 cm	SSR Eco 200x80	SSR Eco 250x80	SSR Eco 300x80
100 cm		SSR Eco 250x100	SSR Eco 300x100

Specification

Electrical connection	3x400 VAC (N) PE 50 Hz; 5m cable with 32A 5P 6h connector 0.4 to 0.75 kW (depending on model)
Pneumatic connection	-
Ambient conditions	from -5 to 40 degrees Celsius



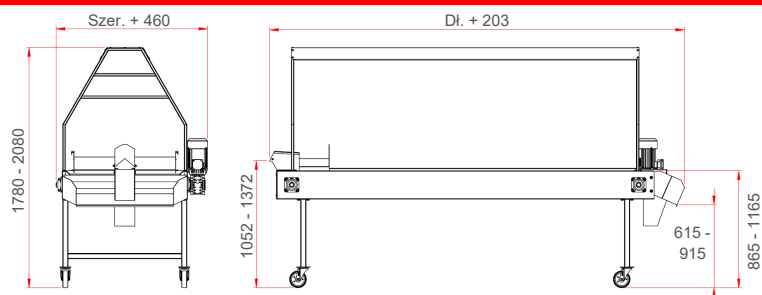
Standard equipment

- Variable speed control (inverter)
- Rollers made of aluminium
- Height-adjustable support legs
- Transport wheels with brakes
- Double centre partition not configurable
- Non-adjustable workspace lighting
- Socket for integration into an external control device
- Construction made of shot-blasted steel and double powder-coated

Optional equipment

- Waste conveyor

External dimensions

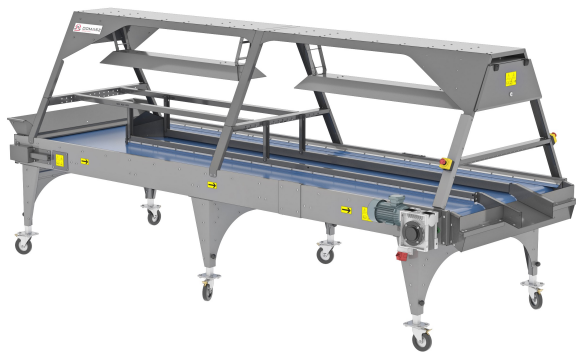


Belt selection tables

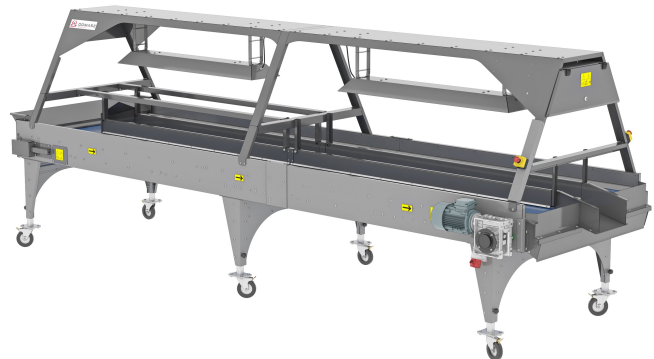
SST series

Product description

Belt tables are used for the manual selection of root vegetables such as carrots and parsley and smaller calibre vegetables. It is also used in the onion peeling process.



SST 400x100



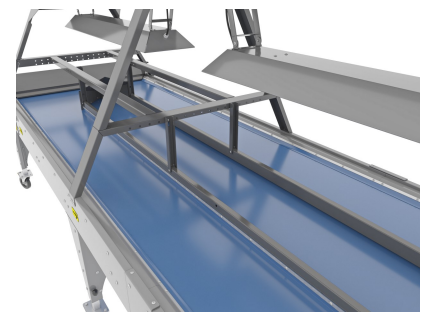
SST 500x120

Available configurations

L / W	400 cm	500 cm	600 cm
120 cm	SST 400x120	SST 500x120	SST 600x120

Specification

Electrical connection	3x400 VAC (N) PE 50 Hz; 5m cable with 32A 5P 6h connector
Pneumatic connection	1.1 kW
Ambient conditions	-
	from -5 to 40 degrees Celsius



Double centre partition with configuration options

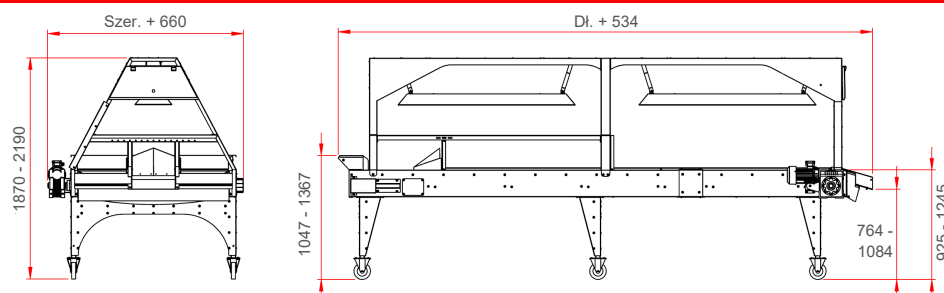
Standard equipment

- Variable speed control (inverter)
- Height-adjustable support legs
- Transport wheels with brakes
- Double centre partition with adjustability
- Adjustable workspace lighting
- Socket for integration into an external control device
- Construction made of shot-blasted steel and double powder-coated

Optional equipment

- All stainless steel construction
- Belt certified for food contact
- Waste conveyor

External dimensions



Belt grader

SO 900/2500

Product description

The sorter is used to precisely divide round vegetables into two fractions. The modular design allows any number of sorters to be put together to produce a greater number of required fractions.



SO 900/2500

Specification

SO 900/2500	
Width of sorting belt	900 mm
Efficiency	up to 12 t/h
Electrical connection	3x400 VAC (N) PE 50 Hz; 5m cable with 32A 5P 6h connector
	1.9 kW
Pneumatic connection	-
Ambient conditions	from -5 to 40 degrees Celsius



The combined use of two sorters allows division into three fractions

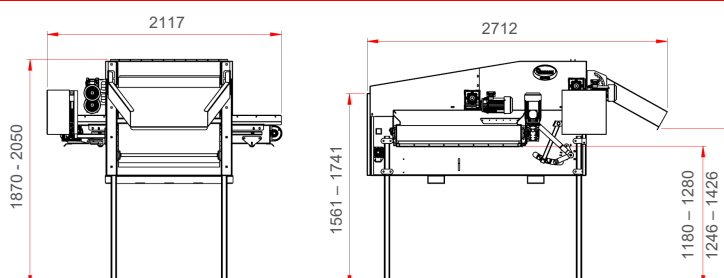
Standard equipment

- One sorting belt in sizes from 25x25 mm to 100x100 mm
- Variable speed control of the sorting belt (frequency converter)
- Variable speed control of the tamping intensity of the sorting belt (frequency converter)
- Height-adjustable support legs with transport wheels
- Socket for integration into an external control device
- Construction made of shot-blasted steel and double powder-coated

Optional equipment

- Additional sorting belt in sizes from 25x25 mm to 100x100 mm
- Conveyor belt feeding vegetables to sorter

External dimensions



Stone separator SK7010

Product description

The purpose of the unit is to separate stones and clods from vegetables using a forced water circulation tank.



SK7010

Specification

SK7010	
Width of vegetable collection belt	700 mm
Efficiency	up to 15 t/h
Electrical connection	3x400 VAC (N) PE 50 Hz; 5m cable with 32A 5P 6h connector
	5.2 kW
Pneumatic connection	-
Ambient conditions	from 0 to 40 degrees Celsius



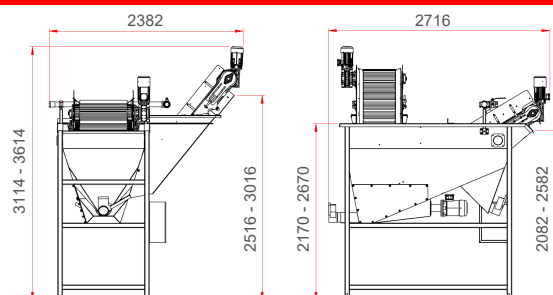
Standard equipment

- Speed-controlled pick-up belt (inverter)
- Water pump with efficiency control (inverter)
- Height-adjustable support legs
- Socket for integration into an external control device
- Construction made of shot-blasted steel and double powder-coated

Optional equipment

N/A

External dimensions



Onion tip cutter

OM series

Product description

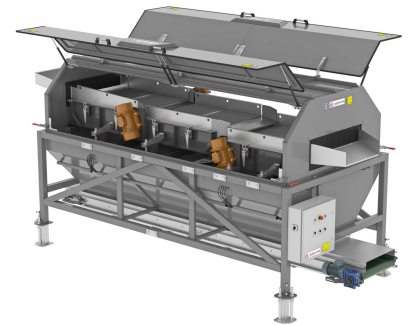
The device is used to cut off the dried parts of the onion chives. In addition, the cutter makes it possible to clean the onion of soil residue and unnecessary loose scales.



OM3

Specification

	OM2	OM3
Number of cutting blades	2	3
Diameter of cutting blades	1200 mm	1200 mm
Efficiency	up to 9 t/h	up to 13 t/h
Electrical connection	3x400 VAC (N) PE 50 Hz; 5m cable with 32A 5P 6h connector	
	8.9 kW	11.9 kW
Pneumatic connection	-	-
Ambient conditions	from -5 to 40 degrees Celsius	



Standard equipment

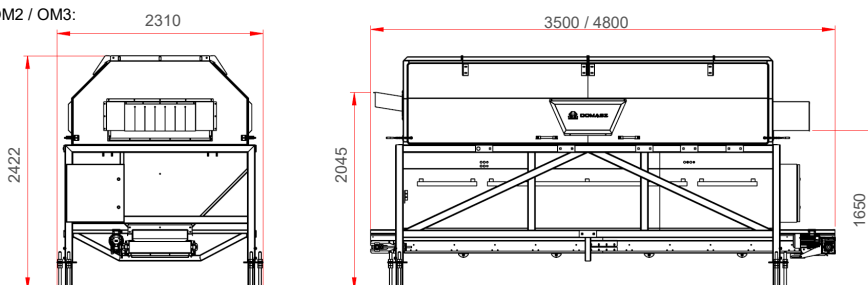
- Galvanized steel screens with a width of 920mm and a spacing of 25mm
 - Waste discharge conveyor
 - Central lubrication system
 - Protective covers with electric locks
 - Cutting unit with two replaceable blades and speed 1400 rpm
 - Socket for integration into an external control device
- Construction made of shot-blasted steel and double powder-coated (except for support frame)

Optional equipment

- Speed control of the cutting unit (inverter for each cutting unit)
- Vibration intensity control (inverter)
- Stainless steel sieves

External dimensions

OM2 / OM3:



Vegetable belt weighers

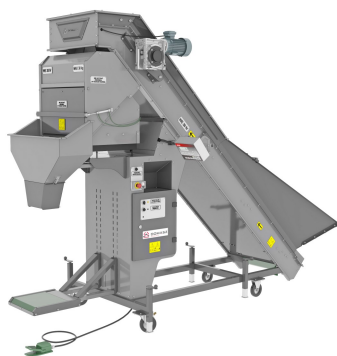
WE series

Product description

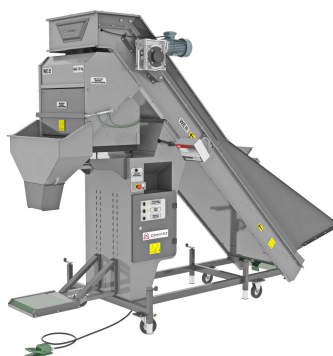
Belt weighers are used to prepare portions of vegetables of a preset weight and feed the portions into a bag or packaging machine. The equipment in this series is characterised by its simple design and mobility.



WE-15 PLUS



WE-30 IV



WE-30 PLUS



WE-50 PLUS

Specification

	WE-15 PLUS	WE-30 IV	WE-30 PLUS	WE-50 PLUS
Efficiency	○ ● ●	○ ● ●	● ● ●	○ ● ●
Weighing accuracy	○ ● ●	○ ● ●	○ ● ●	● ● ●
Weighing range	2.5-15 kg	2.5-30 kg	2.5-30 kg	2.5-50 kg
Efficiency for a 15kg portion *	up to 4.0 t/h	up to 4.0 t/h	up to 6.0 t/h	up to 3.8 t/h
Number of dosing belts	2	1	2	2
Weighing root vegetables	No **	Yes	No **	No **
Working with a RA1	No	Yes	Tak	No
Width of main belt	300 mm	560 mm	400 mm	300 mm
Width of the extra weighing belt	100 mm	-	100 mm	100 mm
Adjustable belt alignment shade for improved alignment accuracy	No	-	Yes	Yes
Variable speed adjustment of the extra belt feeder	No	-	Yes	Yes
Opening/closing the weighing cell	Electric	Pneumatic	Pneumatic	Electric
Electrical connection	1x230 VAC (N) PE 50 Hz; 5m cable with 32A 5P 6h connector	3x400 VAC (N) PE 50 Hz; 5m cable with 32A 5P 6h connector		
	1.4 kW	1.1 kW	1.5 kW	1.8 kW
Pneumatic connection	-	3/8"; min. 6 Bar	3/8"; min. 6 Bar	-
	-	20 NL/min.	20 NL/min.	-
Ambient conditions	from -5 to 40 degrees Celsius			

* Depends on the size and type of vegetables

** Weighing of root vegetables is possible if the extra weighing belt is switched off

Standard equipment

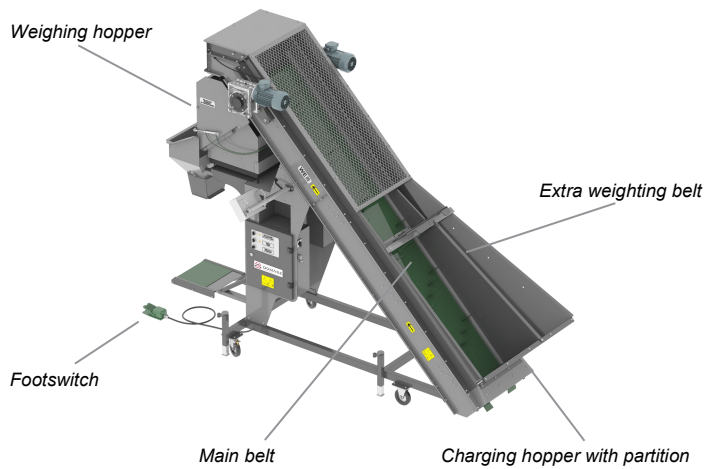
- Partition in the hopper (WE-30 PLUS and WE-50 PLUS)
- 2 adapters for different bag sizes
- Variable speed control for opening the weighing hopper
- Socket for integration into an external control device
- Construction made of shot-blasted steel and double powder-coated

Optional equipment

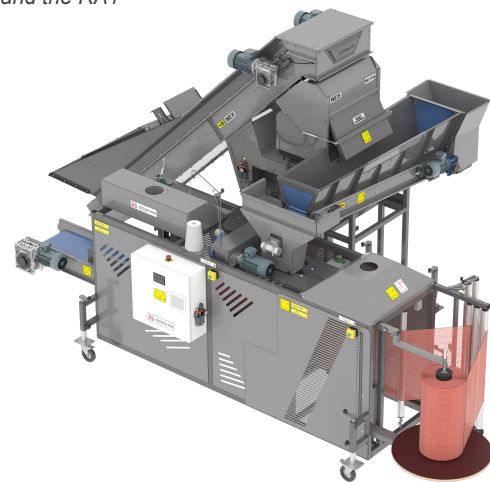
- Stainless steel construction
- Construction in galvanized steel (for WE-15 PLUS)
- Belt certified for food contact
- Additional conveyor connecting the belt weigher to the RA1 with manual packing function (option for We-30 IV and WE-30 Plus)
- Equipped with a 7" touch screen control panel including a statistics module

Construction

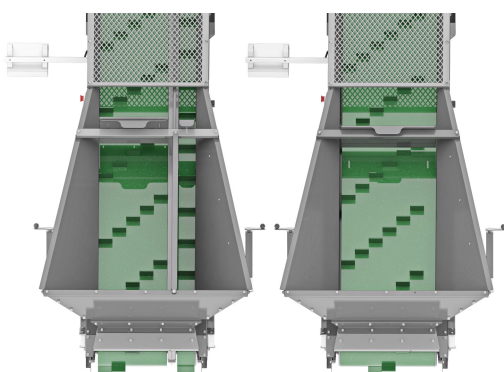
WE-30 PLUS



Additional connecting conveyor between the WE-30 PLUS and the RA1



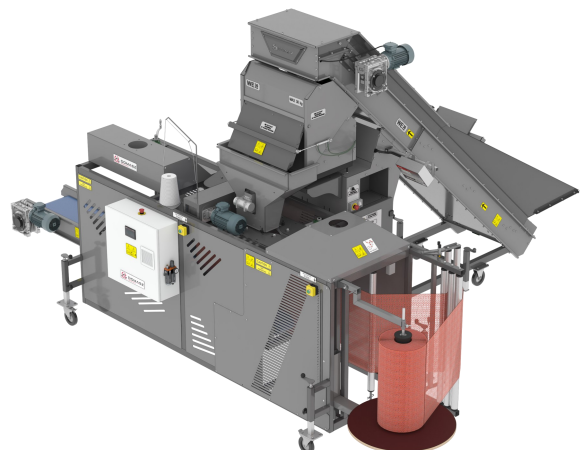
Machine feed



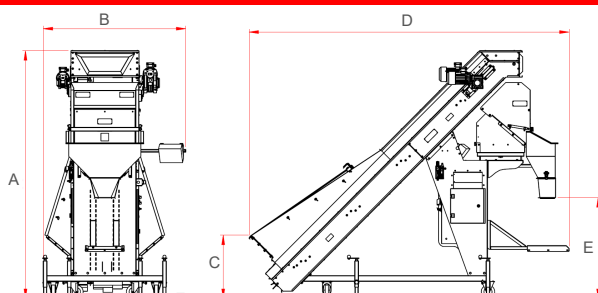
WE-15 PLUS, WE-30 PLUS, WE-50 PLUS

WE-30 IV

Direct integration of the WE-30 PLUS into the RA1



External dimensions



	A	B	C	D	E
WE-15 PLUS	1937	1354	669	2491	859
WE-30 IV	2557	1461	648	3319	1035
WE-30 PLUS	2564	1482	656	3327	1044
WE-50 PLUS	2335	1280	675	2670	850

Multihead weighers

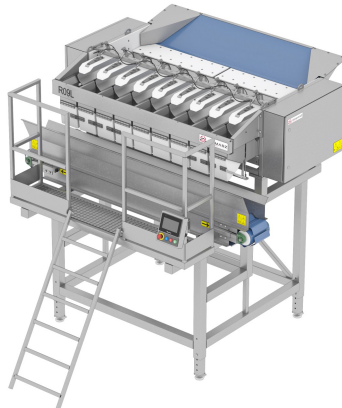
R series

Product description

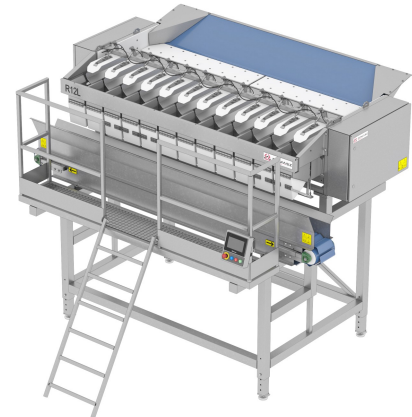
Multihead weighers are used to prepare portions of vegetables of a preset weight and feed the portions to the packaging machine. A characteristic feature of the equipment is the high accuracy and efficiency of weighing.



R04XXL



R09L



R12L

Specification

	R04XXL	R09L	R12L	R09XXL	R12XXL
Efficiency	○ ○ ●	○ ● ● ●	● ● ● ●	○ ● ● ●	● ● ● ●
Weighing accuracy	○ ○ ●	● ● ● ●	● ● ● ●	○ ● ● ●	○ ● ● ●
Weighing range	1-25 kg	1-25 kg	0,5-25 kg	1-25 kg	0,5-25 kg
Efficiency for a 2.5 kg portion	up to 16 portions per minute	up to 34 portions per minute	up to 54 portions per minute	up to 29 portions per minute	up to 45 portions per minute
Weight cup capacity	14.1 l	7.9 l	7.9 l	14.1 l	14.1 l
Optional weighing of root vegetables	Yes	No	No	Yes	Yes
Construction material	In compliance with EU legislation on food contact materials				
Electrical connection *	3x400 VAC (N) PE 50 Hz; 5m cable with 32A 5P 6h connector				
	2.1 kW	3.8 kW	4.5 kW	4.2 kW	5.1 kW
Pneumatic connection	3/8"; min. 6 Bar				
	60 NL/min.	190 NL/min.	260 NL/min.	190 NL/min.	260 NL/min.
Ambient conditions	5-40 degrees Celsius				

* When working with a loading conveyor, its power must be added to the value of the connection power.

Efficiency

Efficiency in portions per minute up to*:

Portion size	R04XXL	R09L	R12L	R09XXL	R12XXL
1.0 kg	17	36	59	32	52
2.5 kg	16	34	54	29	45
5.0 kg	15	29	46	28	43
10.0 kg	11	21	22	27	38
15.0 kg	7	16	20	25	24
25.0 kg	6	10	14	13	15

* Efficiencies based on machine tests in a vegetable processing plant. These values may vary depending on the type and size of vegetables and on the packaging machines integrated into the combination weigher. Tests carried out on potatoes. For maximum efficiency, a constant supply of produce at the machine input is required.

Standard equipment

- Weighing head made of satin stainless steel
- Weight cups with double-opening mechanism for faster emptying of the cup and reduced blockage of vegetables
- Single belt transverse conveyor made of satin stainless steel
- Main frame with service platform in shot-blasted and double powder-coated steel

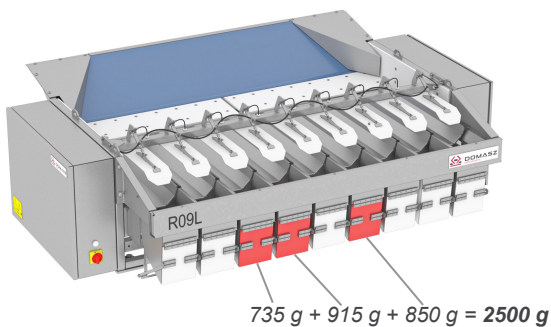
Optional equipment

- Stainless steel loading conveyor
- Loading conveyor made of shot-blasted and double powder-coated steel
- Mainframe and service platform made of stainless steel
- Double cross conveyor with movable baffle made of stainless steel
- Carrot adaptation (movable partitions and modified weighing cups and vibrating troughs)
- Even Flow metering buffer with ascending frame adapted to the multihead weigher

Construction

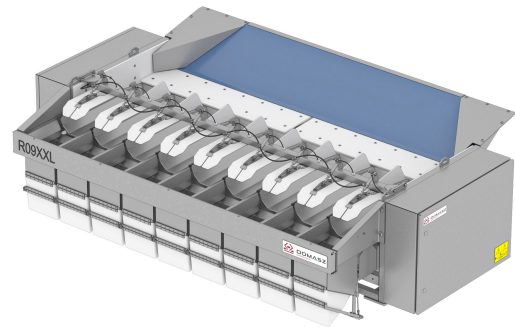
Operating principle

The machine prepares vegetable portions by selecting the cups whose sum is closest to the set weight. For the highest weighing accuracy, a portion is created as the sum of just 3 cups.



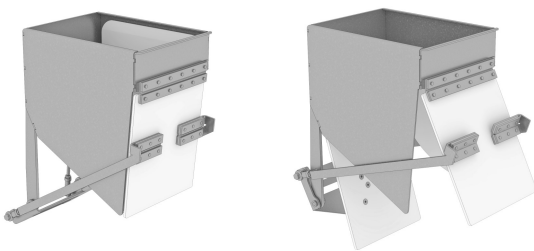
Optional adaptation for carrots

Movable partitions for carrot levelling and modified weighing cups and vibrating troughs for accurate weighing of long vegetables.



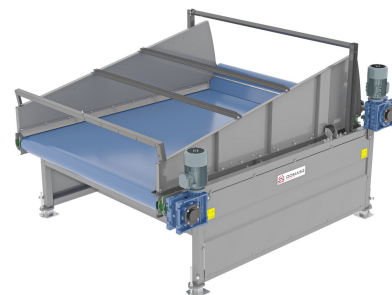
Weight cups with double-opening mechanism

Ensures faster emptying of the cup and reduces blockage of vegetables.

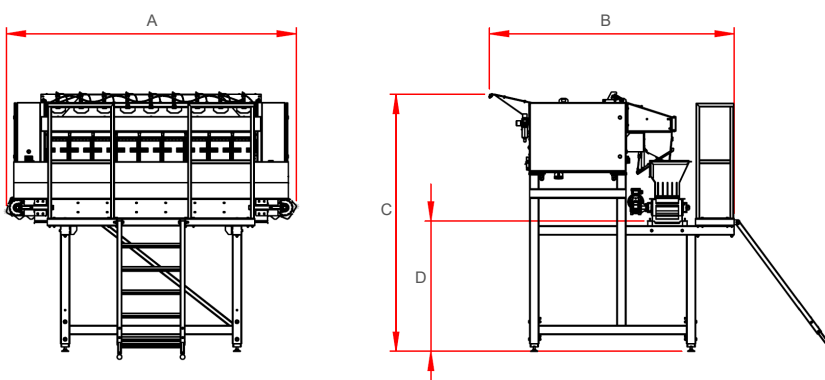


Optional Even Flow dispensing buffer

Allows smooth feeding of vegetables onto multihead weigher.



External dimensions



	A	B	C	D
R04XXL	1625	2063	2205 – 2805	1120 – 1720
R09L	2500	2105		
R12L	2900			
R09XXL	2790			
R12XXL	3495			

Big-Bag Weighers Seria BBW

Product description

The BBW series is used for weighing vegetables in big-bags. By using automatic shock-absorbing cascades, we limit damage to the vegetables and ensure that the bag is filled correctly.



BBW-1



BBW-2

Specification

	BBW-1	BBW-2
Number of weighing sections	1	2
Number of cascades	10	10
Weighing range	100-1200 kg	100-1200 kg
Electrical connection	3x400 VAC (N) PE 50 Hz; 5m cable with 32A 5P 6h connector	
	0.75 kW	1.5 kW
Pneumatic connection	-	-
Ambient conditions	from -5 to 40 degrees Celsius	



BBW-2 with optional infeed conveyor

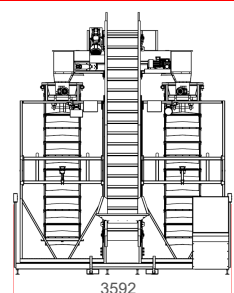
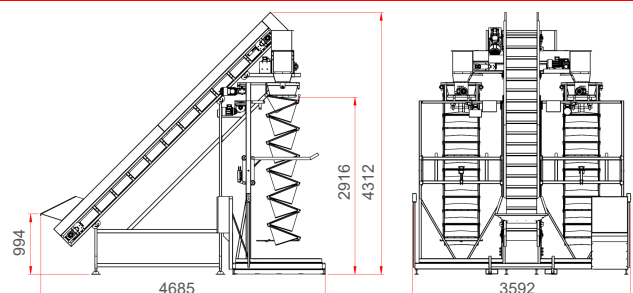
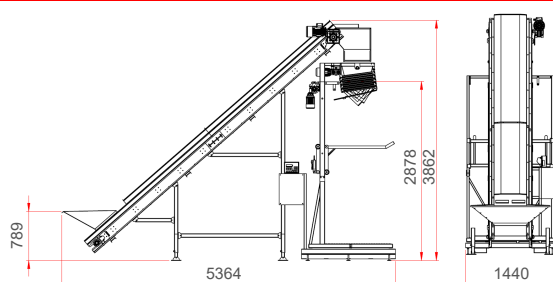
Standard equipment

- Automatic cascades with vegetable level sensor
- Bag handles with pre-fill control mechanism
- Cross conveyor (for BBW-2)
- Socket for integration into an external control device
- Construction made of shot-blasted steel and double powder-coated

Optional equipment

- 1 or 2 station filler (no weighing system)
- Stainless steel construction
- Feeding conveyor

External dimensions



Box and carton filler NSK

Product description

The filler is used for packing vegetables in boxes and cartons. The use of buffer tanks increases the efficiency and functionality of the machine.



NSK

Specification

NS	
Maximum carton width	500 mm
Length of buffer before filling station	3000 mm
Buffer length after filling station	2400 mm
Electrical connection	3x400 VAC (N) PE 50 Hz; 5m cable with 32A 5P 6h connector 2.0 kW
Pneumatic connection	3/8"; min. 6 Bar 130 NL/min.
Ambient conditions	from -5 to 40 degrees Celsius

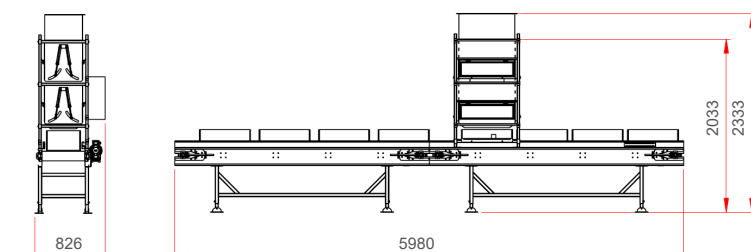
Standard equipment

- Buffer conveyor for empty boxes and cartons (3mb)
- Two buffer tanks made of stainless steel
- Socket for integration into an external control device
- Construction made of shot-blasted steel and double powder-coated

Optional equipment

N/A

External dimensions

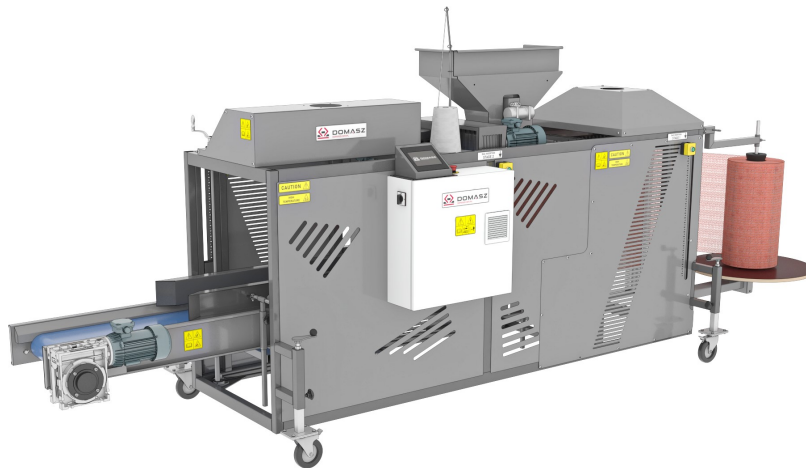


Raschel bag packing machine

RA-1

Product description

Packing machine RA-1 is an automatic machine for packing potatoes, onions, carrots and other hard vegetables into raschel bags.



RA-1

Specification

	RA-1
Range of packaging	2,5-30 kg
Efficiency	up to 11.7 t/h (for 15kg bags)
Maximum bag height	700 mm
Electrical connection	3x400 VAC (N) PE 50 Hz; 5m cable with 32A 5P 6h connector
	3.5 kW
Pneumatic connection	3/8"; min. 6 Bar
	130 NL/min.
Ambient conditions	from -5 to 40 degrees Celsius

Efficiency

Pack size	Efficiency in bags per minute up to*:
3.0 kg	23
4.0 kg	22
5.0 kg	21
10.0 kg	15
15.0 kg	13
25.0 kg	10

* For a machine equipped with a Fichbein double thread sewing head. Tests carried out on potatoes.

Optional thermal printers



Markem-Image SmartDate X45



Videjet DataFlex 6330

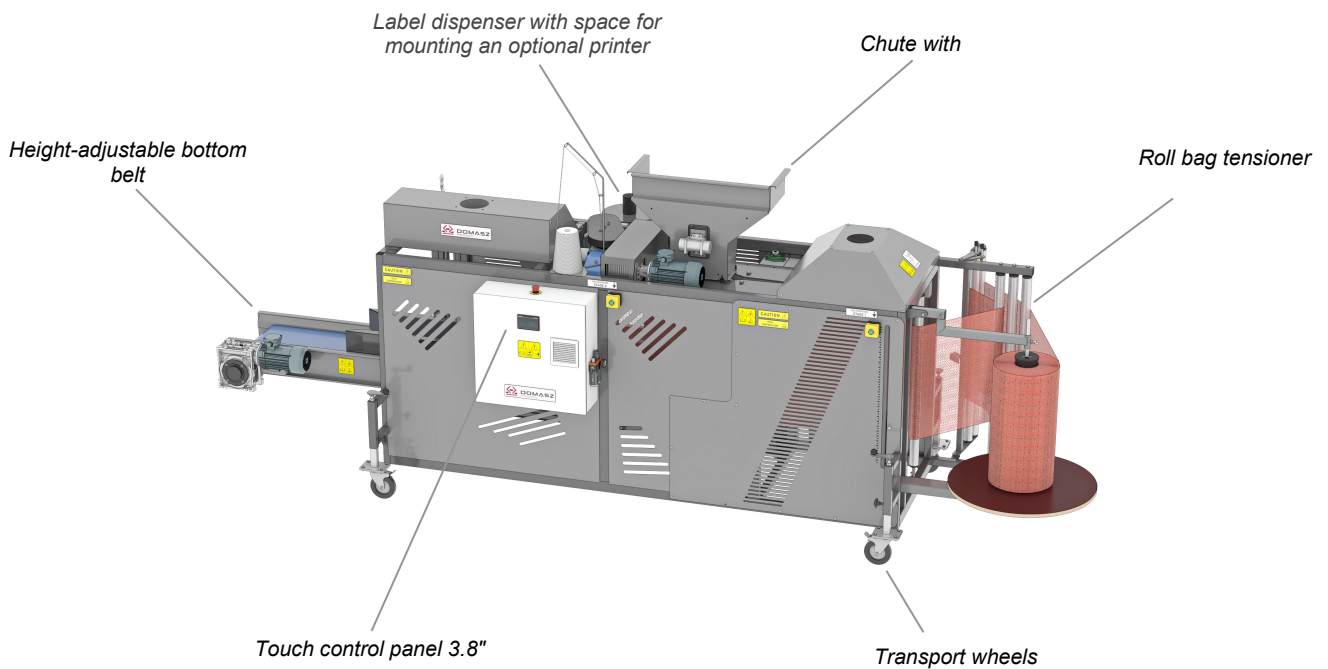
Standard equipment

- Single thread head Fischbein F
- Touchscreen control panel 3.8"
- Vibration of the feed
- Label dispenser
- Automatic lubrication of the sealing head
- Transport wheels
- Socket for integration into an external control device
- Construction made of shot-blasted steel and double powder-coated

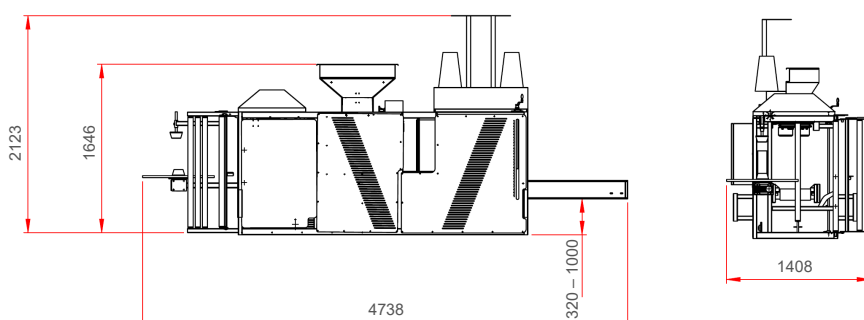
Optional equipment

- Double thread head: Fischbein 100, Newlong DS-9PI or YAO HAN F900A
- Single-thread head: Newlong NP-7A or YAO HAN F300A
- Stainless steel construction (includes food approved belt)
- Side covers
- Chute blockage sensor
- Touchscreen control panel 7" including statistics module
- Automatic label printer: Markem-Imaje SmartDate X45, Videojet DataFlex 6330

Construction



External dimensions



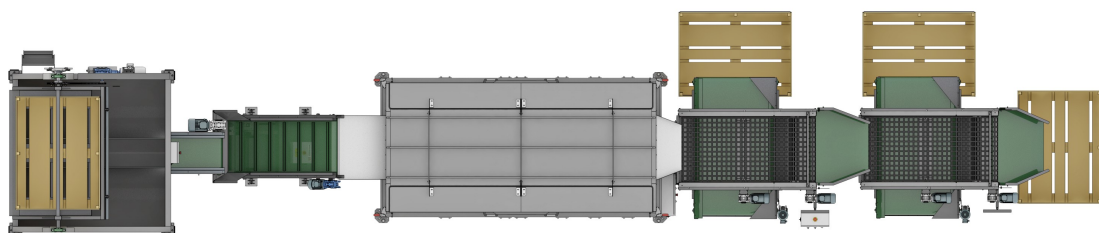
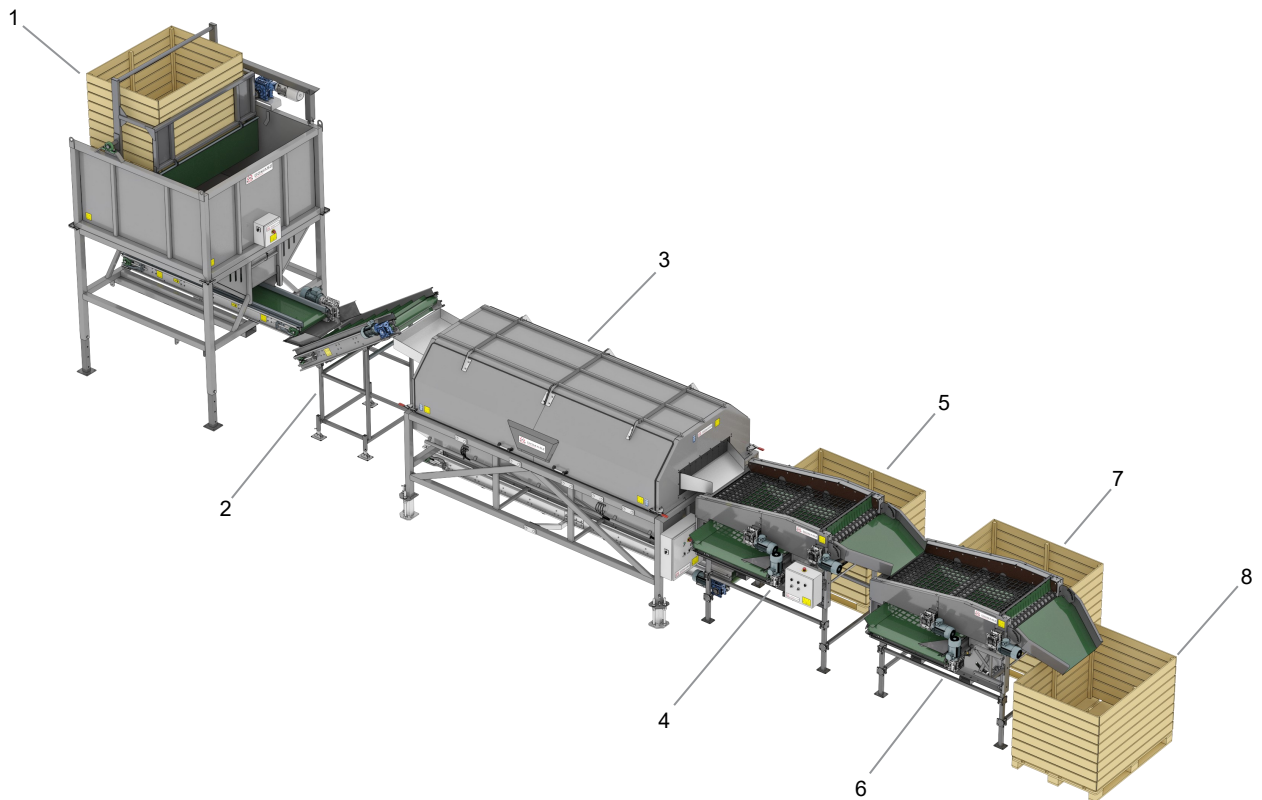
Onion sorting

KD, OM-3, 2 x SO 900/2500

Description of the solution

A key part of preparing onions for sale is dividing them into the appropriate fractions. Before dividing into fractions, the onions need to have the chives cut off.

Onions collected from the storage area are passed onto the batching buffer, which is integrated with the tipping unit for box pallets KD (1). The purpose of the buffer is to ensure constant and uniform dosing of the goods onto the production line. The buffer feeds the onions onto the OM-3 chive cutter (3) via an intermediate conveyor (2). The waste material from the chive cutter is transported to the box pallet (4). The cut onions are then fed onto the first circulating sorter with a 36x36mm sorting belt (5). A fraction up to 36mm in diameter is passed to a box pallet (6), while a fraction above 36mm is passed to the next circulating sorter (7) in which, using a sorting belt with the size of 50x50, the goods are divided into a fraction 35-50mm (8) and above 50mm (9).



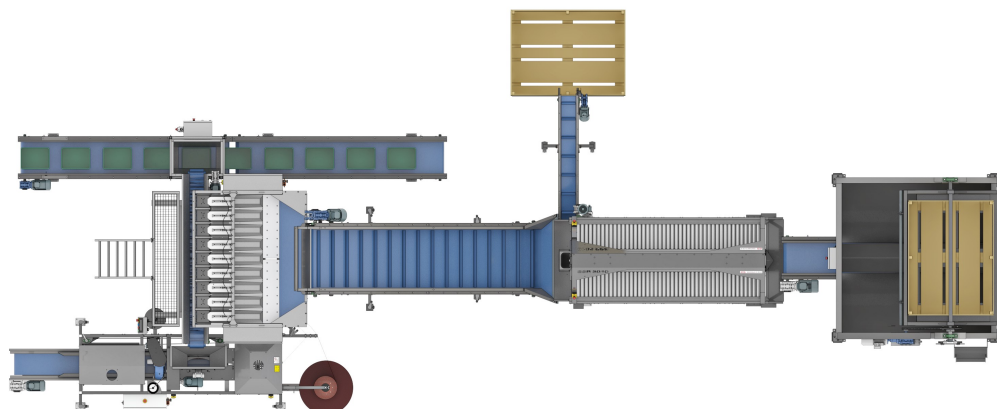
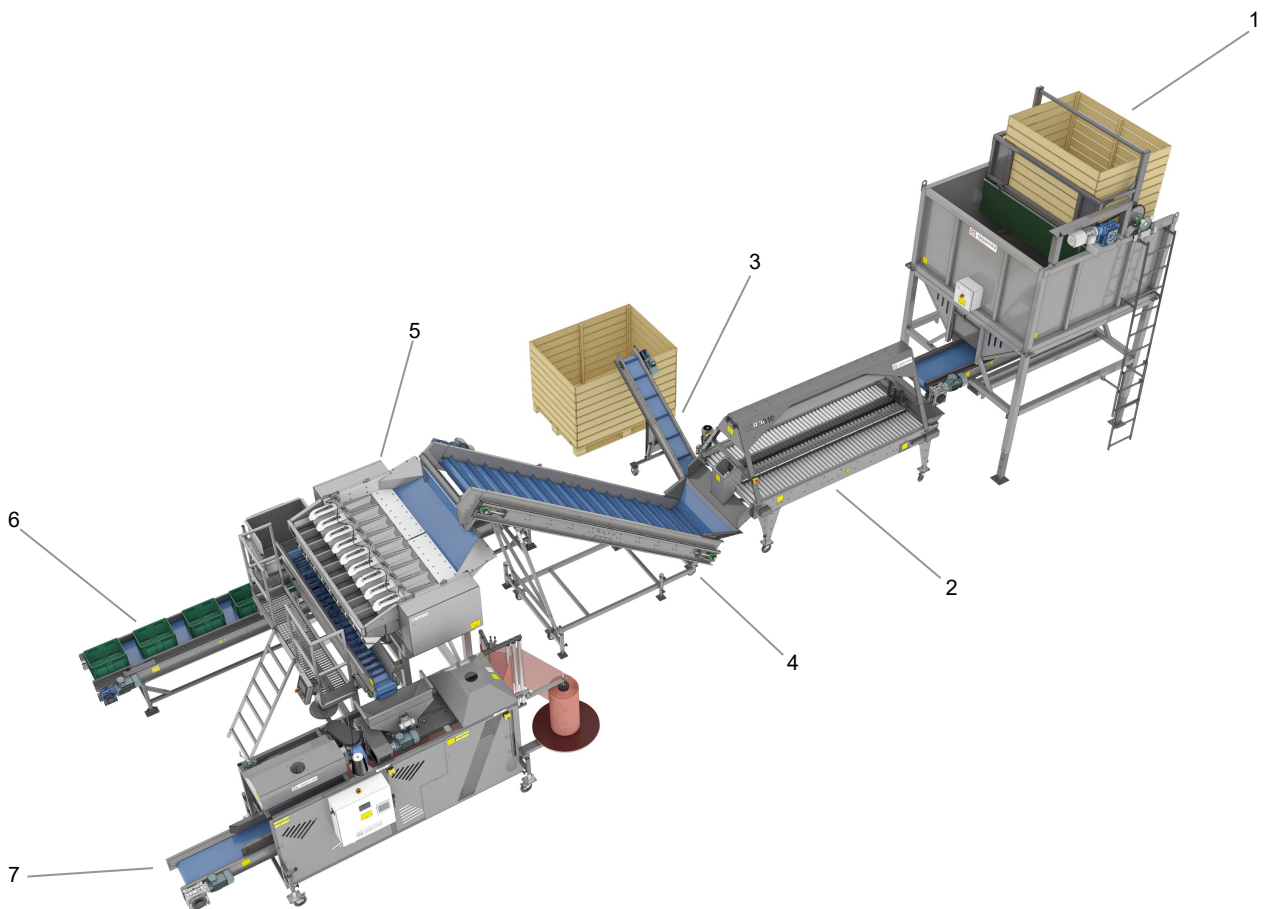
Preparation of bags and cartons

KD, SSR, R09L, RA-1, NSK

Description of the solution

The weighing and packing line allows the preparation of suitable packages for sale, depending on the expected calibre of the goods and the type and size of the packages.

The appropriate onion calibre is fed to the batching buffer which is integrated into the KD box pallet tipper (1). The buffer evenly doses the goods onto the selection table (2). The residue created during selection is transported by conveyor (3) to the box pallet and the actual goods are fed onto the multihead weigher (5) by a loading conveyor (4). Portions of the preset weight are fed from the multihead weigher to the case filler (6) or to the raschel bag packing machine (7).



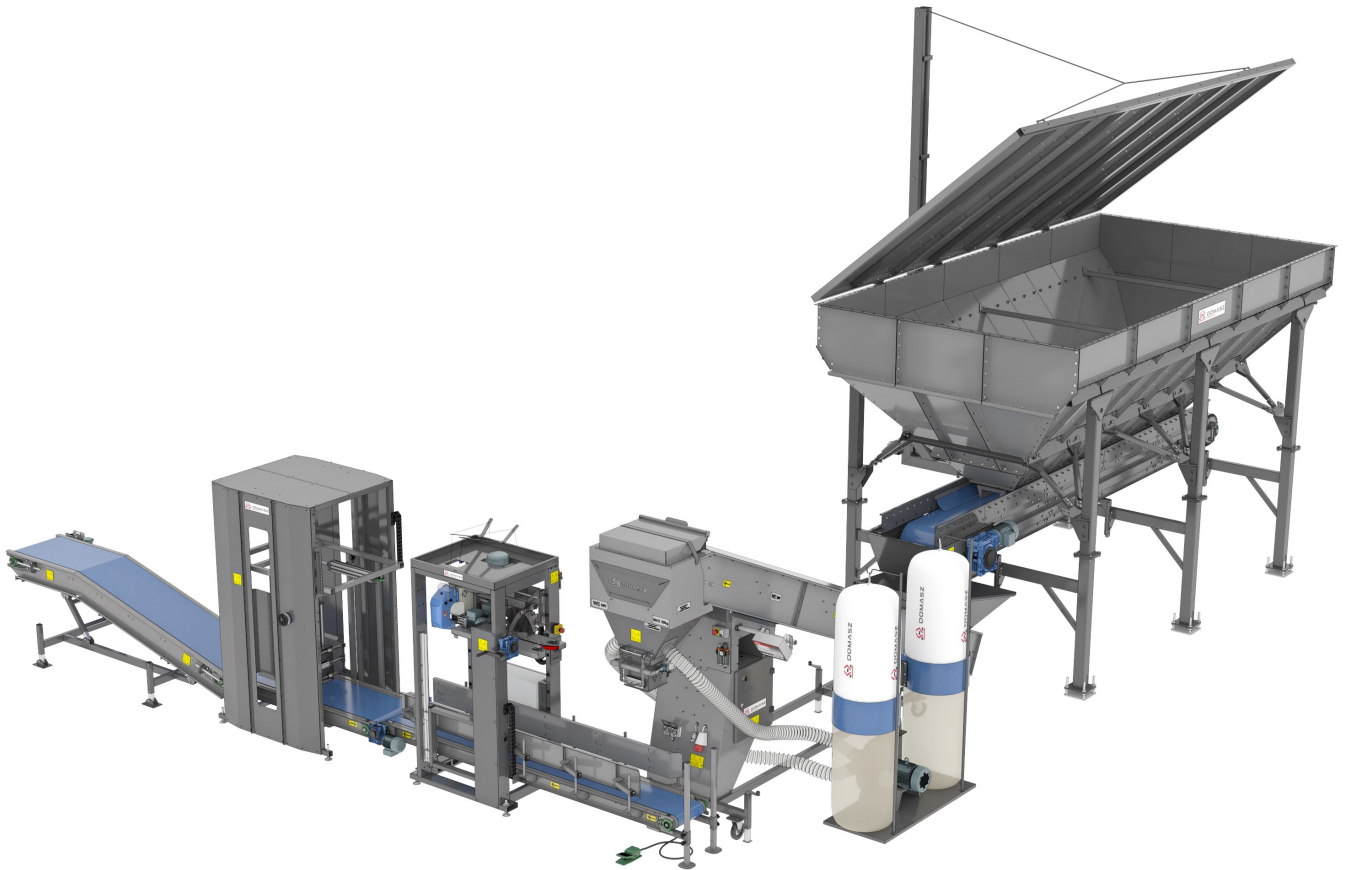
Solutions for loose materials

Chapter introduction

Equipment designed for loose materials requires specific adaptation to the product. The type of material, the density or the method of spreading are all important. Domasz's many years of experience allows us to select the right solution and operate the equipment as intended.

With these solutions, it is possible to perform:

- Receiving and buffering loose materials
- Weighing and filling of bags
- Bag closing



Receiving baskets

KPS 1, KPZ 1

Product description

The initial stages of the process lines start with the receiving baskets, which allow the goods to be received and evenly fed to further production stages.



KPS 1



KPZ 1

Specification

	KPS 1	KPZ 1
Capacity	7.1 m ³	12.0 m ³
Method of discharge	Gravitational	Scraper conveyor
Main purpose	Easy-to-spread products	Products that are difficult to spread
Electrical connection	-	3x400 VAC (N) PE 50 Hz; 5m cable with 32A 5P 6h connector
	-	2.0 kW
Pneumatic connection	-	-
Ambient conditions	from -10 to 40 degrees Celsius	



KPZ 1 with optional protective cover

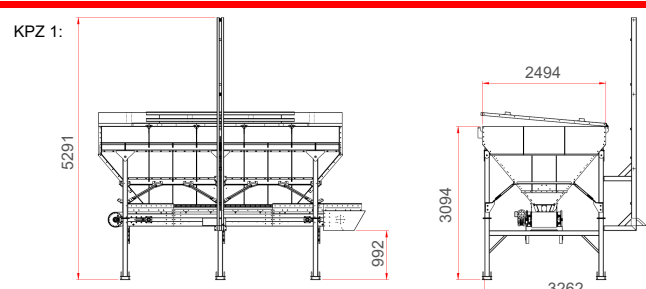
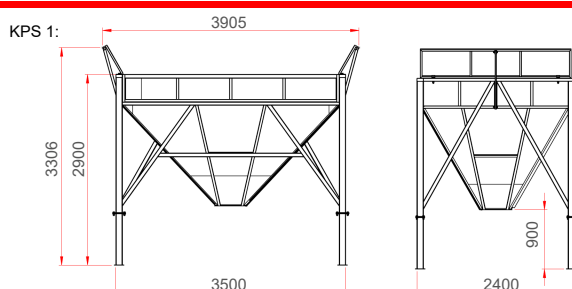
Standard equipment

- Construction made of shot-blasted steel and double-painted steel

Optional equipment

- Interior sheets made of stainless steel (KPS 1, KPZ 1)
- Interior sheets made of galvanised steel (KPS 1, KPZ 1)
- Protective cover (KPZ 1)

External dimensions



Loose materials weighers

WE series

Product description

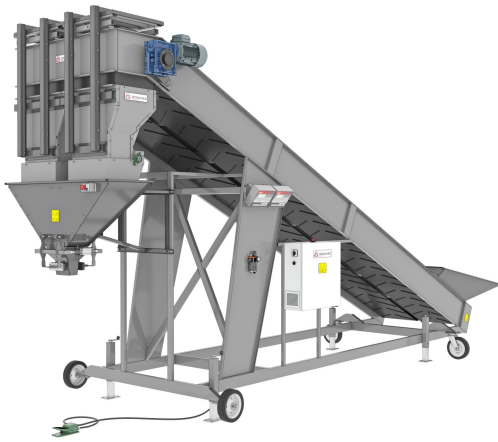
Loose material weighers are used to weigh out a preset portion of a product. Weighing can take place in a container or directly in the packaging. Thanks to their design, they offer the possibility of using various types of packaging.



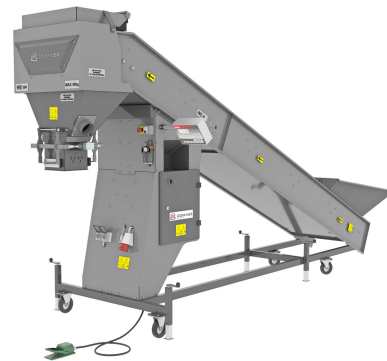
WE-50 III



WE-50 VP



WE-50 DUO



WE-50 V

Specification

	WE-50 III	WE-50 DUO	WE-50 V	WE-50 VZ	WE-50 VP
Weighing range			1-50 kg		
Efficiency up to (for 25kg portions) *	6.0 t/h	9.0 t/h	5.0 t/h	6.0 t/h	4.0 t/h
Method of weighing	Bag	Tank	Bag	Tank	Bag
Type of bags	raschel, jute, foil, woven polypropylene and similar				
Method of supply of the goods	PrAuger conveyor	Belt	Belt	Belt	Belt
Auger diameter	150 mm	-	-	-	-
Width of feed belt	-	2 x 500mm	550mm	550mm	550mm
Electrical connection	3x400 VAC (N) PE 50 Hz; 5m cable with 32A 5P 6h connector				
	1.0 kW	2.0 kW	2.0 kW	2.0 kW	2.0 kW
Pneumatic connection	3/8"; min. 6 Bar				
	18 NL/min.	150 NL/min.	65 NL/min.	92 NL/min	65 NL/min.
Ambient conditions	from -5 to 40 degrees Celsius				

* Depends on the type of product being weighed

Standard equipment

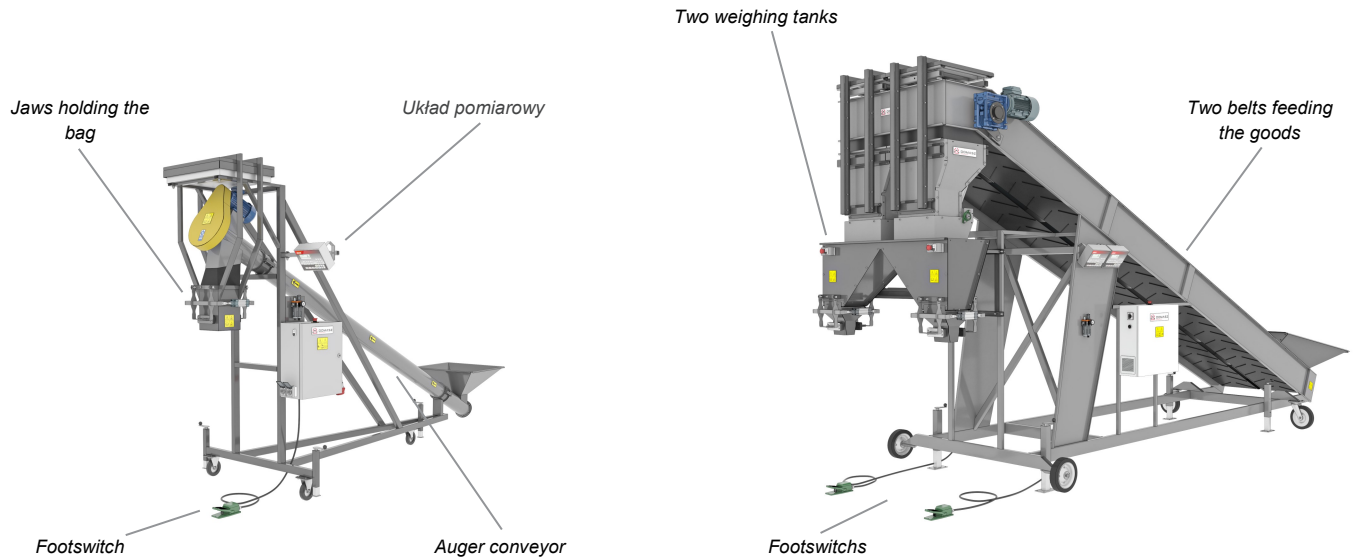
- Socket for integration into an external control device
- Construction made of shot-blasted steel and double powder-coated (WE-50 III, WE-50 V, WE-50 VH)
- Construction made of shot-blasted steel and double-painted steel (WE-50 DUO)

Optional equipment

- Stainless steel construction (WE-50 III, WE-50 V)
- Dust extraction system
- Belt certified for food contact
- Dual discharge (WE-50 DUO)

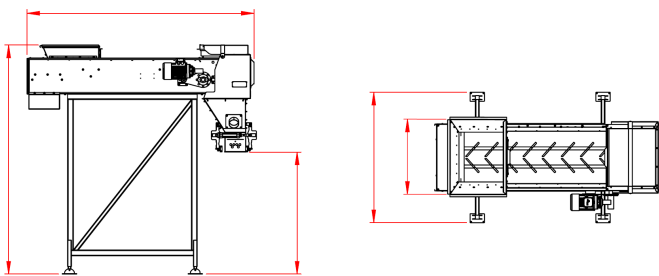
Construction

Using the WE-50 III and WE-50 DUO as an example

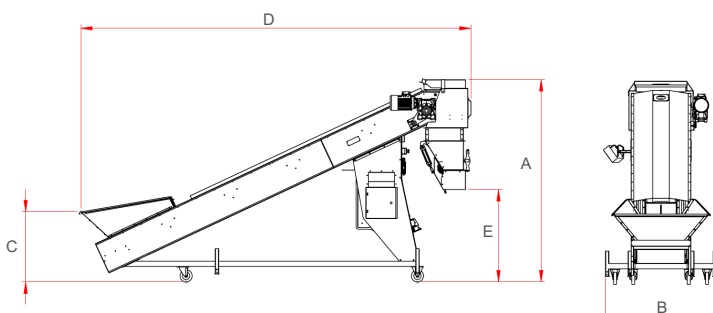


External dimensions

WE-50 VP:



WE-50 III, WE-50 DUO, WE-50 V, WE-50 VZ:



	A	B	C	D	E
WE-50 III	2495	1280	716	4068	1261
WE-50 DUO	3190	1980	778	6330	1098
WE-50 V	2326	1280	808	4495	1062
WE-50 VZ					1162

Big-Bag weighers

BBS-2

Product description

The BBS-2 is used for weighing loose materials in big-bag weighers. Two weighing sections allow for continuous operation of the process line.



BBS-2

Specification

BBS-2	
Number of weighing sections	2
Weighing range	100-1200 kg
Electrical connection	3x400 VAC (N) PE 50 Hz; 5m cable with 32A 5P 6h connector 1.0 kW
Pneumatic connection	-
Ambient conditions	from -5 to 40 degrees Celsius



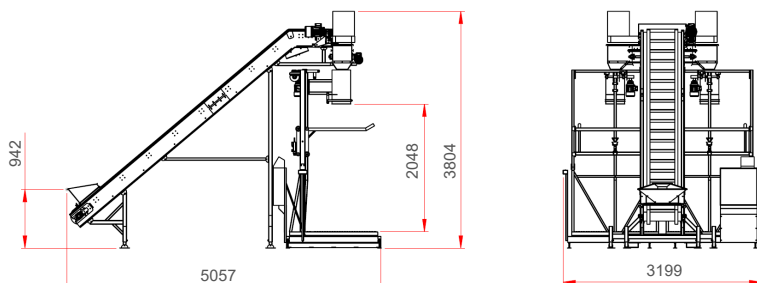
Standard equipment

- Cross conveyor feeding the goods
- Loading conveyor
- Socket for integration into an external control device
- Construction made of shot-blasted steel and double powder-coated

Optional equipment

- Stainless steel construction
- Dust extraction system
- Arrangement for forming the plastic bags before starting the filling process

External dimensions

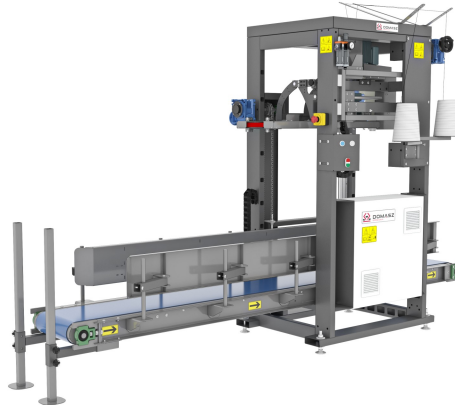


Bag sealing systems

ZW-1, ZW-2

Product description

ZW machines are used to close bags automatically or semi-automatically, adapting to different types of packaging.



ZW-1

Specification

	ZW-1	ZW-2
Sealing method	Sewing	Welding
Type of bag	Paper, woven polypropylene	Foil
Electrical connection	3x400 VAC (N) PE 50 Hz; 5m cable with 32A 5P 6h connector	
	2.0 kW	2.0 kW
Pneumatic connection	3/8"; min. 6 bar	
	10 NL/min.	15 NL/min.
Ambient conditions	from -5 to 40 degrees Celsius	

Standard equipment

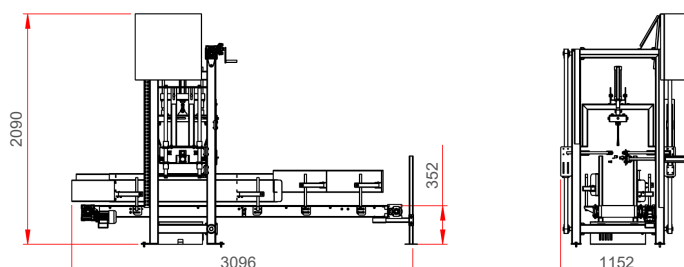
- Height-adjustable support legs
- Fichbein double thread sewing machine 100 (ZW-1)
- Construction made of shot-blasted steel and double powder-coated

Optional equipment

N/A

External dimensions

ZW-1, ZW-2:



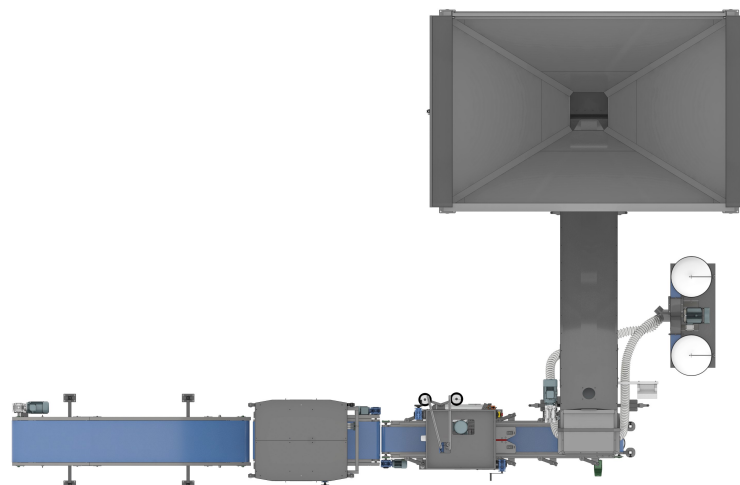
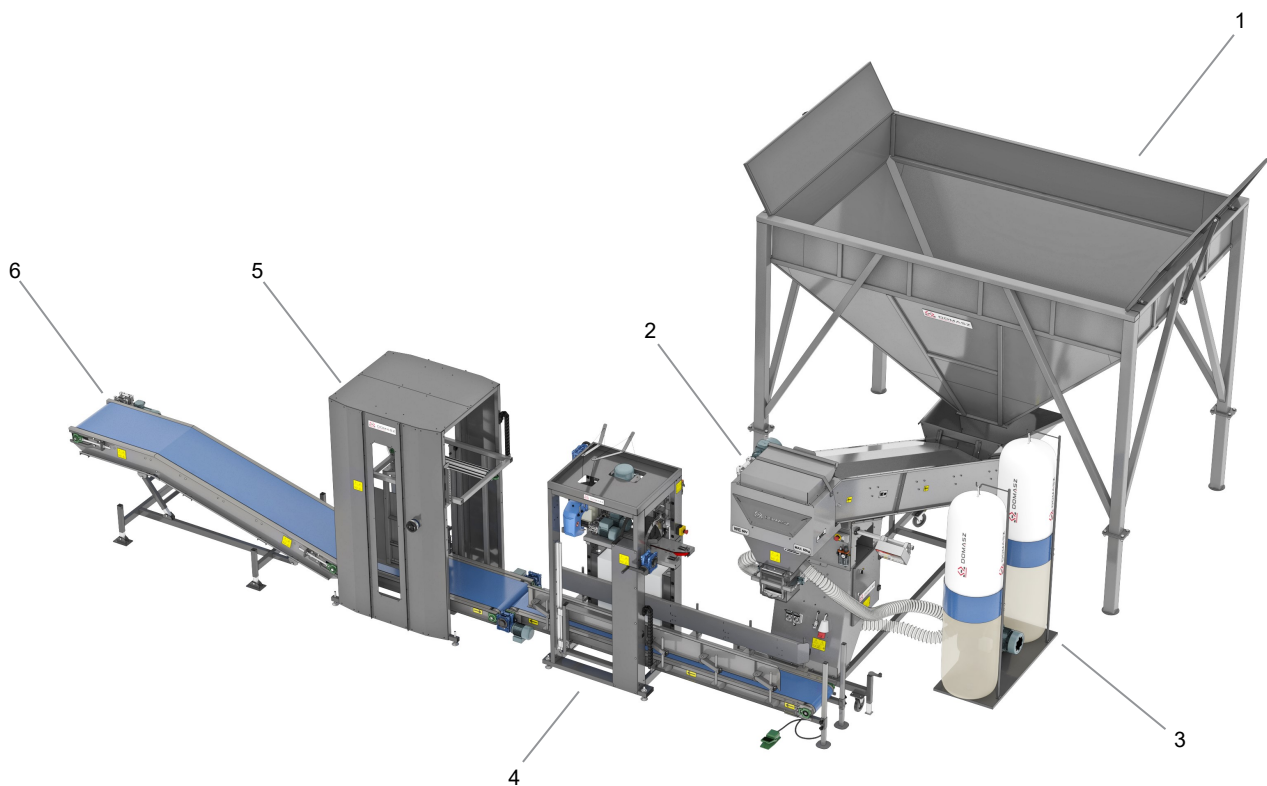
Weighing and packaging of pellets

KPS-1, WE-50 V, ZW-1

Description of the solution

The semi-automatic weighing and packaging line is a compact solution for the preparation of finished pellet packages.

Pellets are filled into a gravity hopper (1) from which they are fed into a weighing machine (2) equipped with a dust extraction system (3). The filled bags are sealed using a system with automatic bag infeed (4) and are then turned (5) and raised to a height (6) that facilitates manual placement of the bags on the pallet.



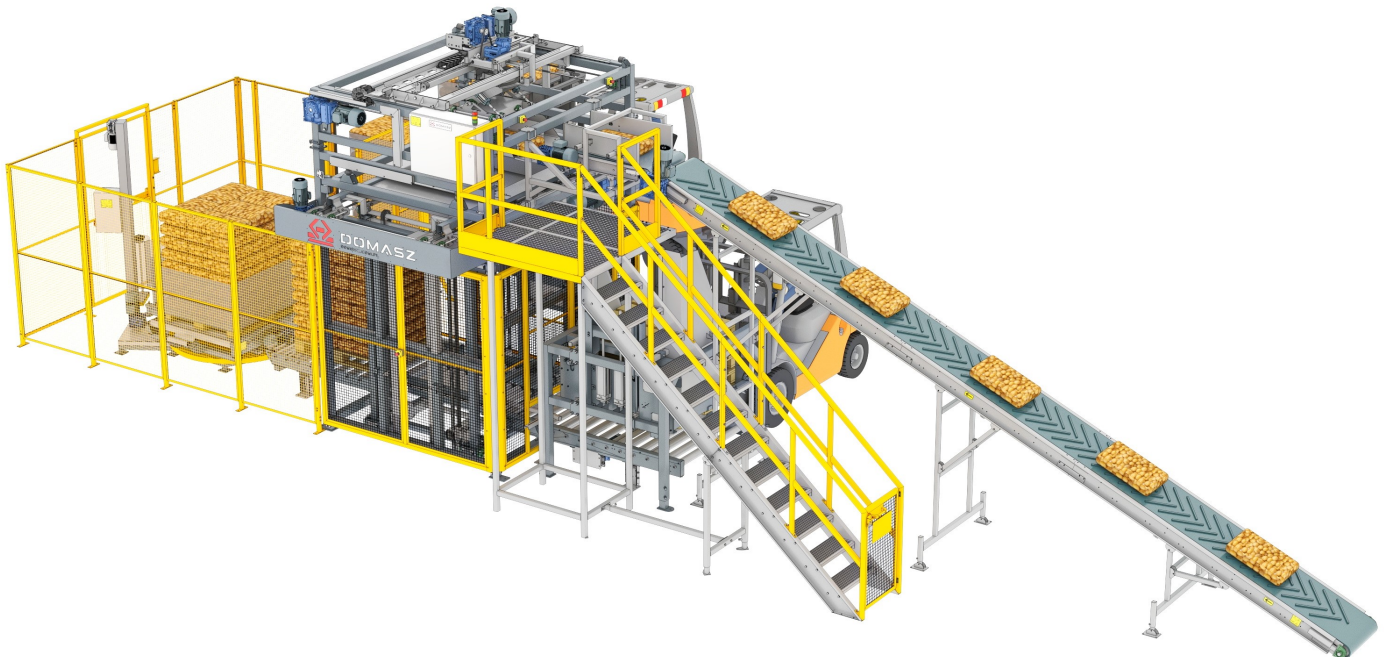
Complete palletising systems

Chapter introduction

Palletising systems are designed to provide excellent stacking quality at minimum cost. Automated palletising processes eliminate the human factor from the final production stage, ensure repeatable stacking and increase production efficiency.

Our comprehensive palletising solutions include:

- Different types of palletisers allowing you to adapt to the type of product and efficiency
- Internal conveying systems to feed products into the palletiser
- Bag forming systems before stacking
- Pallet storage
- Interlaminators
- Wrapping machines
- Buffering systems for full pallets



Cartesian palletisers

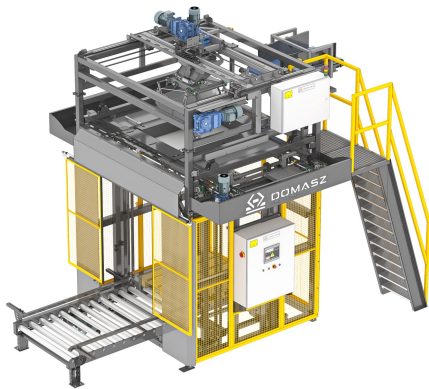
PK series

Product description

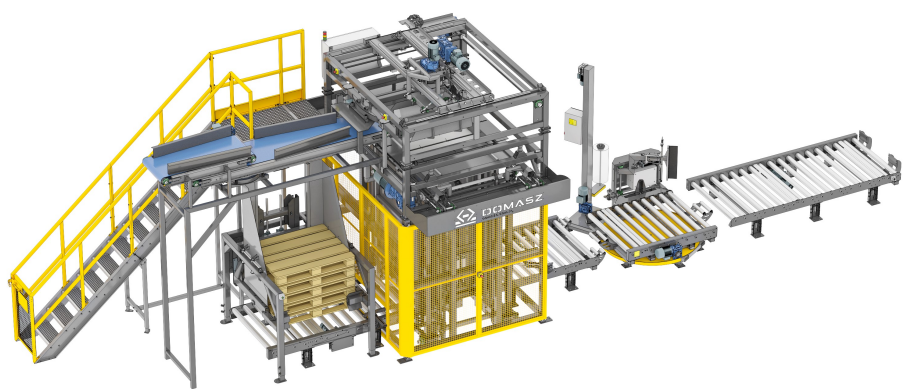
PK series palletisers are used to place bags of vegetables and loose materials on pallets. Vegetable stackers are equipped as standard with a forming chamber system, which allows the entire pallet to maintain a preset and systematic shape.

The PK-4 and PK-6 models are fully automatic palletising systems. The palletising process begins with feeding an empty pallet from the pallet storage into the palletiser. The palletiser then places the bags on the pallet, and when stacking is complete, the pallet with the goods is transported to the wrapping machine. The wrapping machine operates in an automatic cycle, starting and finishing wrapping without operator intervention. Once the pallet has been wrapped with net or film, the pallet is transported to the buffer area, from where it can be retrieved by the operator. The fully automatic solution reduces the number of people required to prepare the finished pallets with product.

The PK-2 model is a device in which feeding an empty pallet and collecting the filled pallet is done manually.



PK-2



PK-6

Specification

	PK-2	PK-4	PK-6
Main purpose	Loose materials	Loose materials, vegetables	Loose materials, vegetables
Product range		up to 30 kg	
Efficiency	up to 10 cycles / min	up to 15 cycles / min	up to 23 cycles / min
	-	up to 26 bags per minute for 4 kg and 5 kg bags*	up to 35 bags per minute for 4 kg and 5 kg bags*
Type of bag	rachel, jute, foil, paper, woven polypropylene and similar		
Maximum bag size	600x1100x300 mm		
Pallet types supported	euro (1200x800mm), industrial (1200x1000mm)		
Stacking height	up to 2000 mm including the pallet		
Forming chamber	No	Yes	Yes
	-	No, Yes as an option	No, Yes as an option
Pallet storage capacity	-	13 pallets	13 pallets
Automatic pallet entry and exit	No	Yes	Yes
Electrical connection		3x400 VAC (N) PE 50 Hz	
	8.0 kW	from 16.0 kW; depending on configuration	from 19.0 kW; depending on configuration
Pneumatic connection		3/4"; min. 6 Bar	
	50 NL/min.	from 60 NL/min; depending on configuration	from 60 NL/min; depending on configuration
Ambient conditions	from -5 to 40 degrees Celsius		

* For double bag stacking in one working cycle including a bag buffer system in front of the palletiser

Standard equipment

PK-2:

- Palletiser including conveyor feeding the bags to the rotary head
- Service platform

PK-4, PK-6:

- Palletiser including conveyor feeding the bags to the rotary head
- Automatic pallet storage
- Roller conveyor feeding empty pallets to palletiser
- Roller conveyor transporting filled pallets to the pallet wrapping machine
- Automatic pallet wrapping machine with film or net attachment
- Roller conveyor buffering filled pallets
- Layout of service platforms

Optional equipment

PK-2:

- Layout of conveyors feeding the bags into the palletiser adapted to specific requirements
- Bag forming system

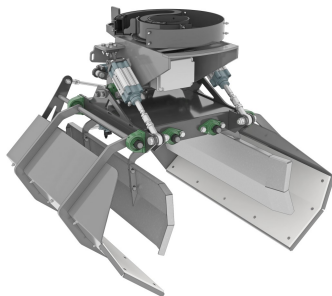
PK-4, PK-6:

- Layout of conveyors feeding the bags into the palletiser adapted to specific requirements
- Bag forming system
- Conveyor system buffering the bags in front of the palletiser
- Layout of service platforms adapted to specific requirements

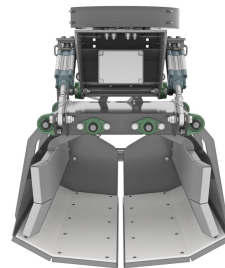
Solutions applied

Stacking head

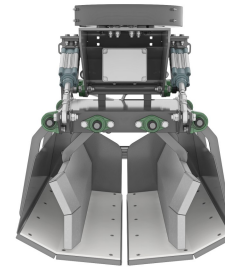
- Bag centring system allowing a wide range of bag types to be stacked
- Stacking of bags in user-defined orientation



Open stacking head



Closed stacking head



Closed stacking head,
bag centering system active

Forming chamber

- Pallet formation from first to last layer
- Adjustable chamber sizes to suit pallet size and specific bag type

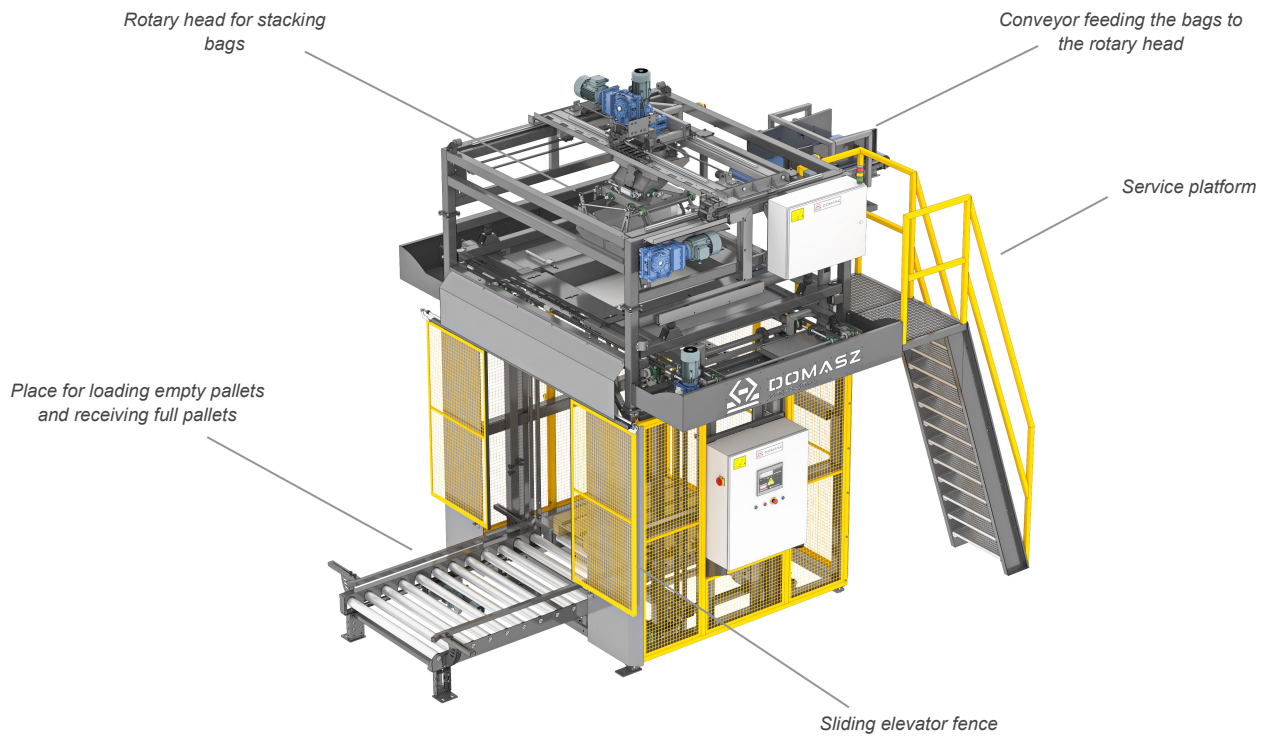


Palletiser with open forming chamber

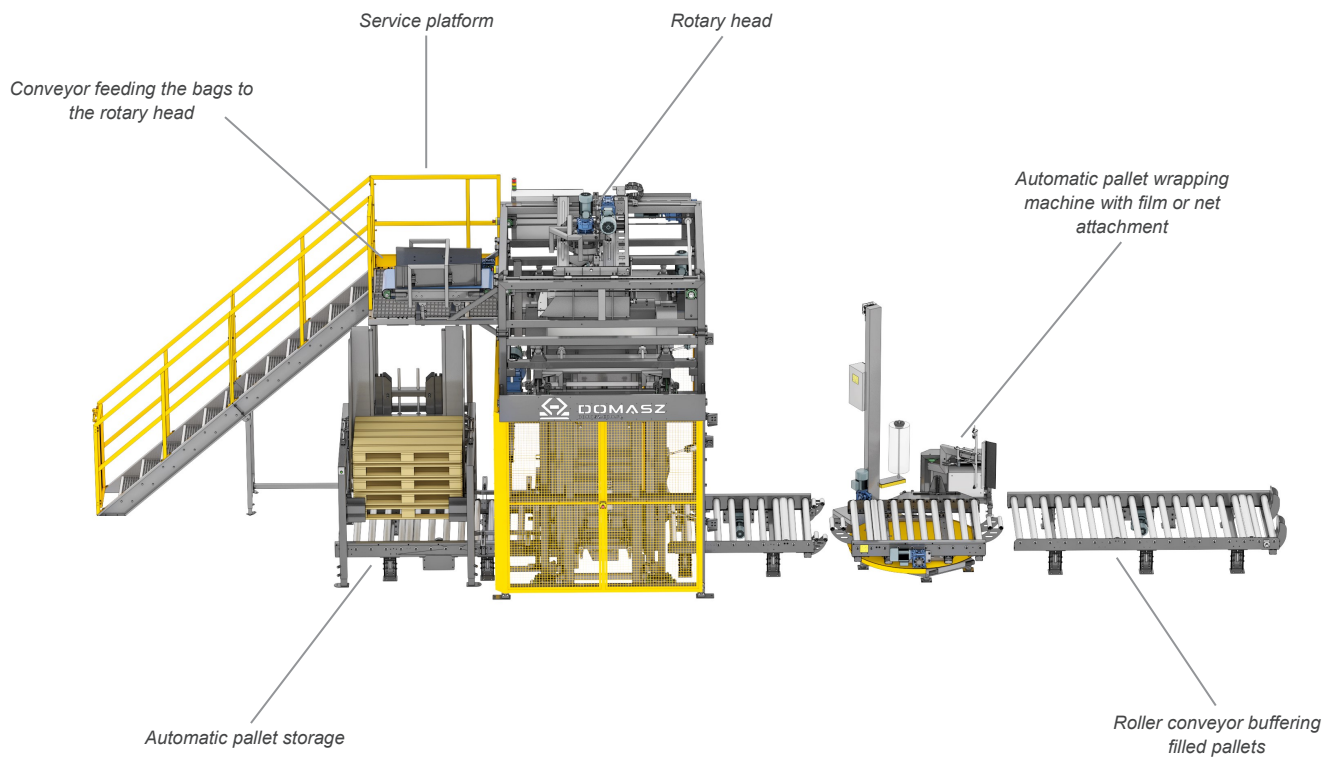


Palletiser with closed forming chamber

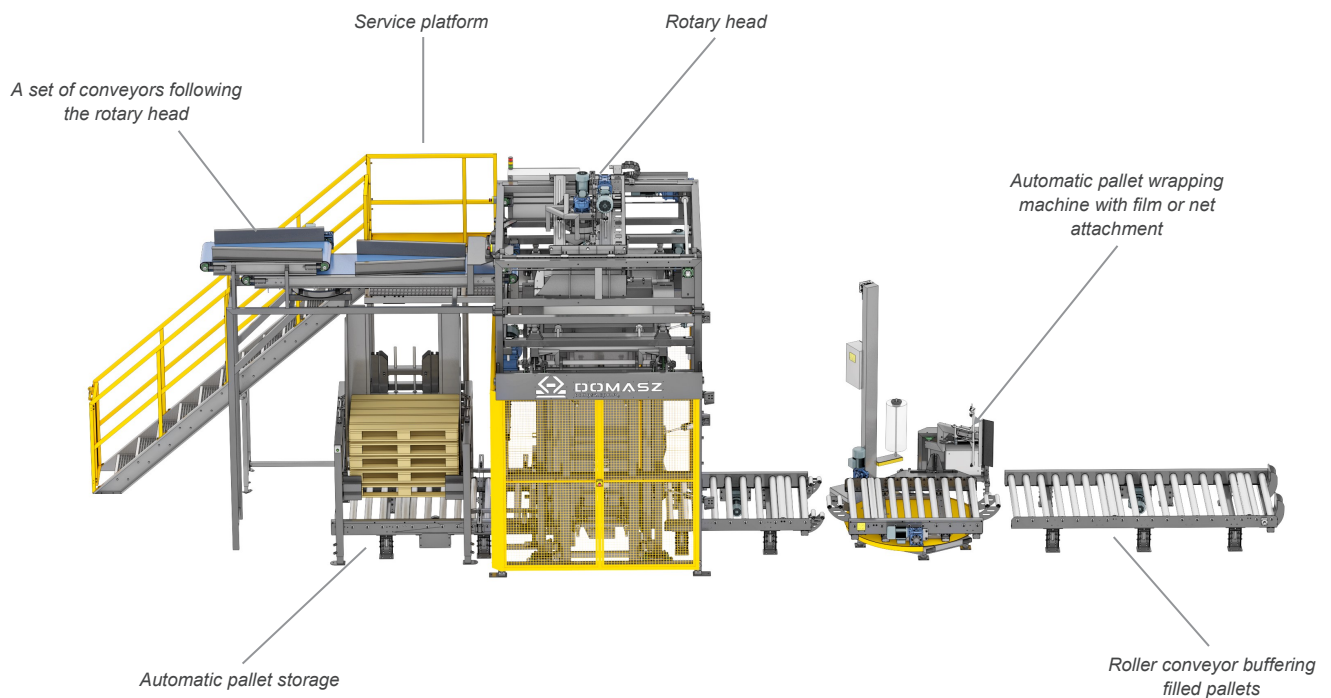
PK-2 construction



Typical PK-4 basic configuration

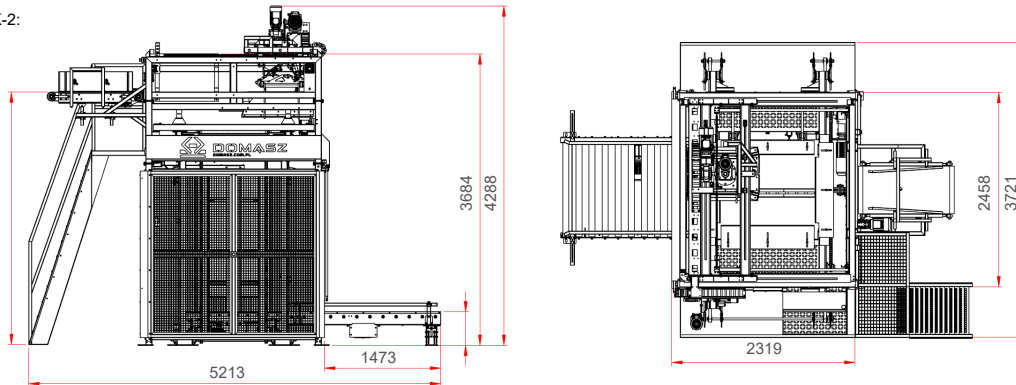


Typical PK-6 basic configuration

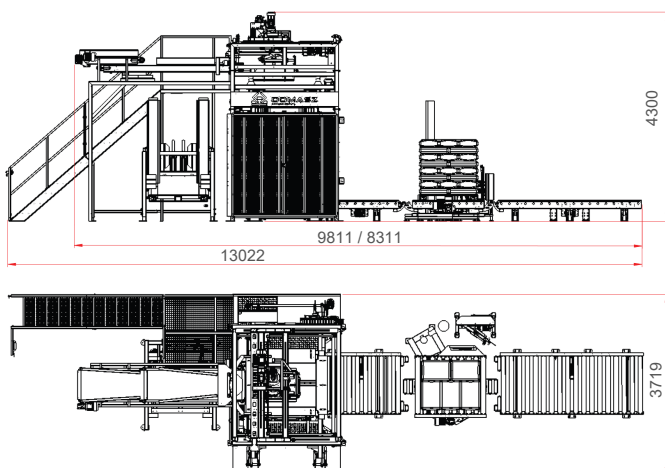


External dimensions

PK-2:



PK-6 / Pk-4:



Push-type palletisers

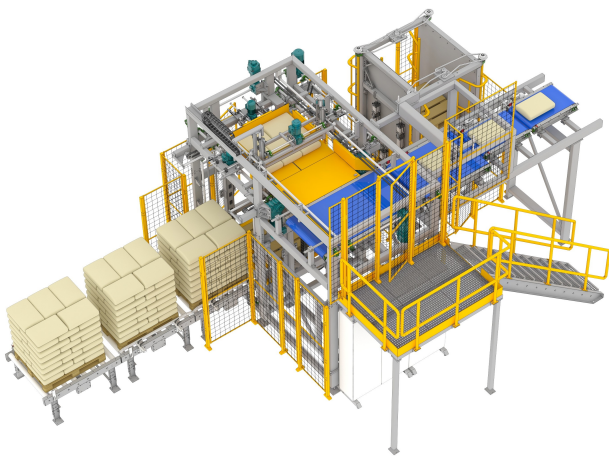
PD series

Product description

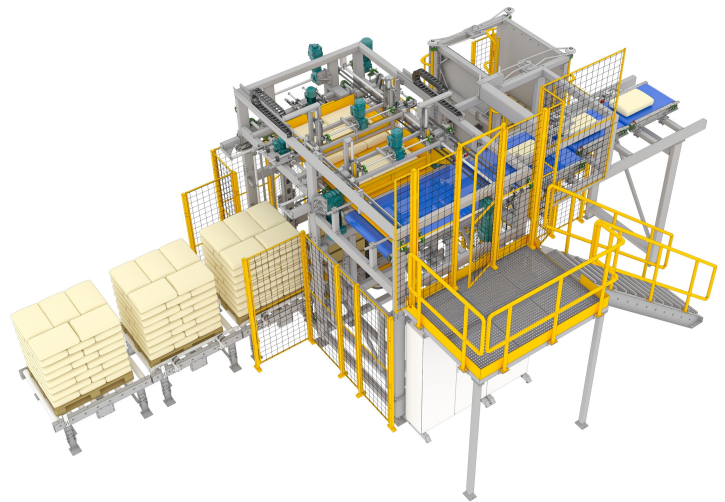
The palletisers of the PD series are used for stacking sacks and cartons on pallets.

The PD-6 and PD-8 models are fully automatic. The palletising process begins with feeding an empty pallet from the pallet storage into the palletiser. The palletiser then prepares the bags or boxes in the correct orientation and forms them into bundles on preparation conveyors. The bundles thus prepared are pushed over the pallet to form an entire layer. Once all layers are in place, the pallet is transported to the wrapping machine. The wrapping machine operates in an automatic cycle, starting and finishing wrapping without any operator intervention. Once the pallet has been wrapped with net or film, it is transported to the buffer area, from where it can be retrieved by the operator.

The fully automatic solution reduces the number of people required to prepare the finished pallets with the product.



PD-6



PD-8

Specification

	PD-6	PD-8
Main purpose	Bags of loose materials, cartons	
Product range	up to 50 kg	
Efficiency	up to 20 cycles / min	up to 30 cycles / min
Typ worków	paper, foil and similar	
Bag type	600x1100x300 mm	
Types of pallets supported	euro (1200x800mm), industrial (1200x1000mm)	
Stacking height	up to 2000 mm including the pallet	
Pallet storage capacity	13 pallets	
Forming chamber	No	
Automatic pallet entry and exit	Yes	
Electrical connection	3x400 VAC (N) PE 50 Hz	
	from 16.0 kW; depending on configuration	from 20.0 kW; depending on configuration
Pneumatic connection	3/4"; min. 6 Bar	
	from 60 NL/min; depending on configuration	from 60 NL/min; depending on configuration
Ambient conditions	from -5 to 40 degrees Celsius	

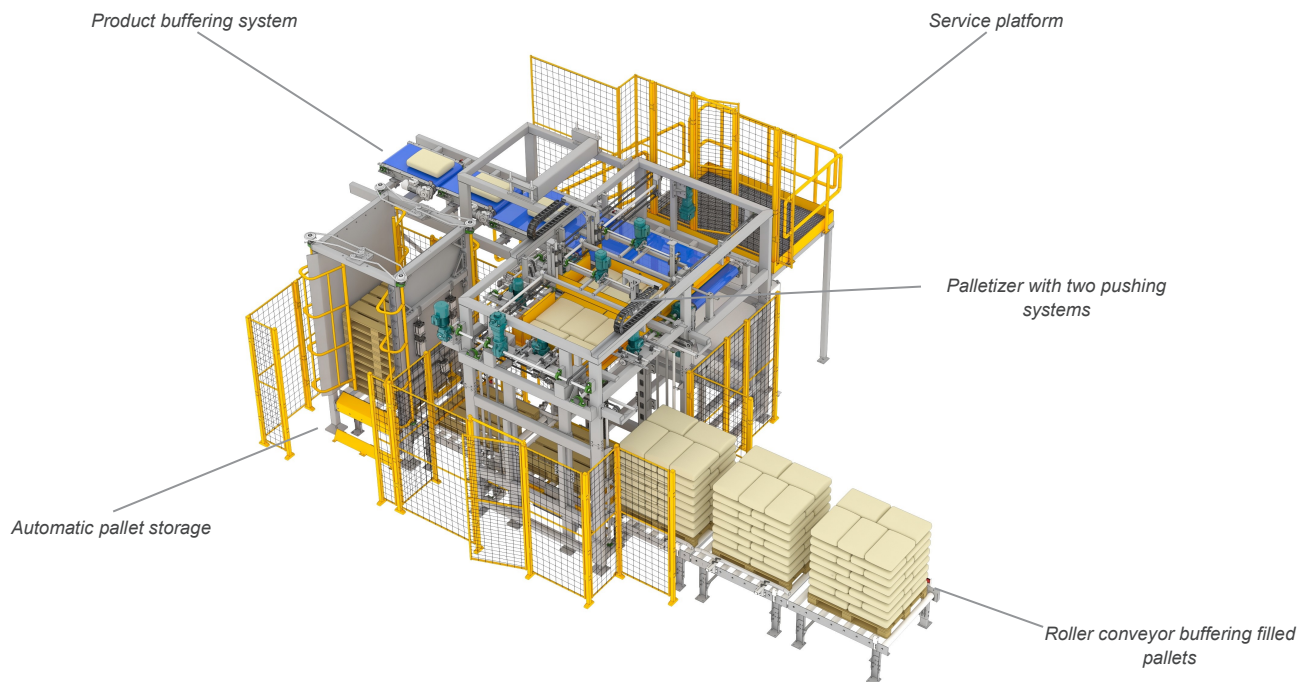
Standard equipment

- Palletiser with product buffering system
- Automatic pallet storage
- Roller conveyor feeding empty pallets to palletiser
- Roller conveyor transporting filled pallets to the pallet wrapping machine
- Automatic pallet wrapping machine with film or net wrapping
- Roller conveyor buffering filled pallets
- Arrangement of service platforms

Optional equipment

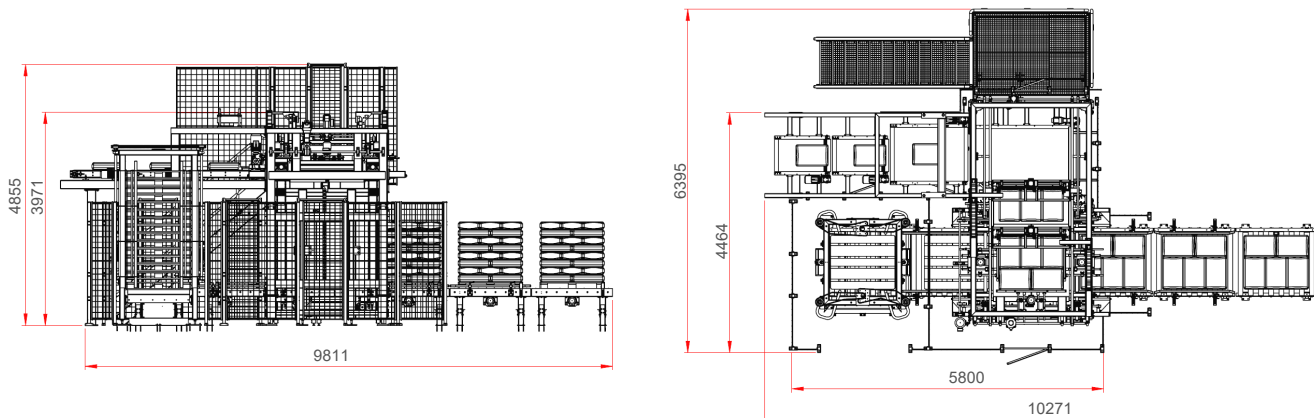
- Layout of conveyors feeding the products to the palletiser adapted to individual requirements
- Conveyor system for buffering products in front of the palletiser adapted to individual requirements
- Arrangement of service platforms adapted to individual requirements

Typical PD-8 basic configuration



External dimensions

PD-6, PD-8:

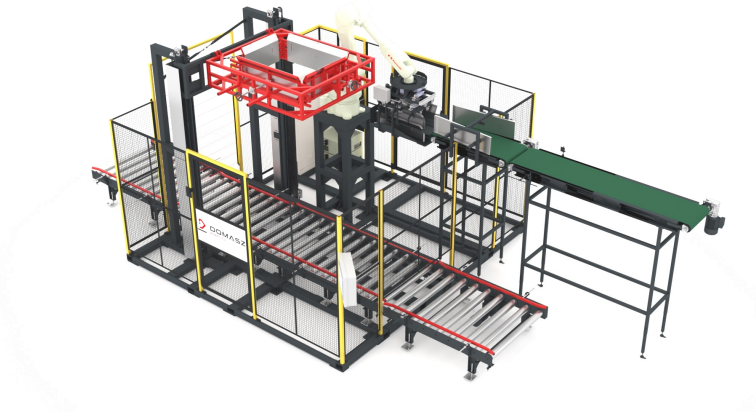


Robotised palletising systems

PR1-W

Product description

The PR1-W robotised palletising station is designed for stacking bags of vegetables and loose materials on pallets. The use of an industrial robot limits the height of the machine, allowing the station to be used in low rooms.



PR1-W



Specification

	PR1-W
Main purpose	Vegetables, loose materials
Product range	up to 15 kg
Efficiency	up to 10 cycles / min
	up to 14 bags per minute for 4 kg and 5 kg bags*
Bag type	raschel, jute, foil, woven polypropylene and similar
Maximum bag size	400x700x250 mm
Types of pallets supported	euro (1200x800mm), industrial (1200x1000mm)
Stacking height	up to 2000 mm including the pallet
Electrical connection	3x400 VAC (N) PE 50 Hz
	8.0 kW
Pneumatic connection	3/8"; min. 6 Bar
	80 NL/min.
Ambient conditions	from 0 to 40 degrees Celsius

* For double bag stacking in one working cycle including a bag buffer system in front of the palletiser

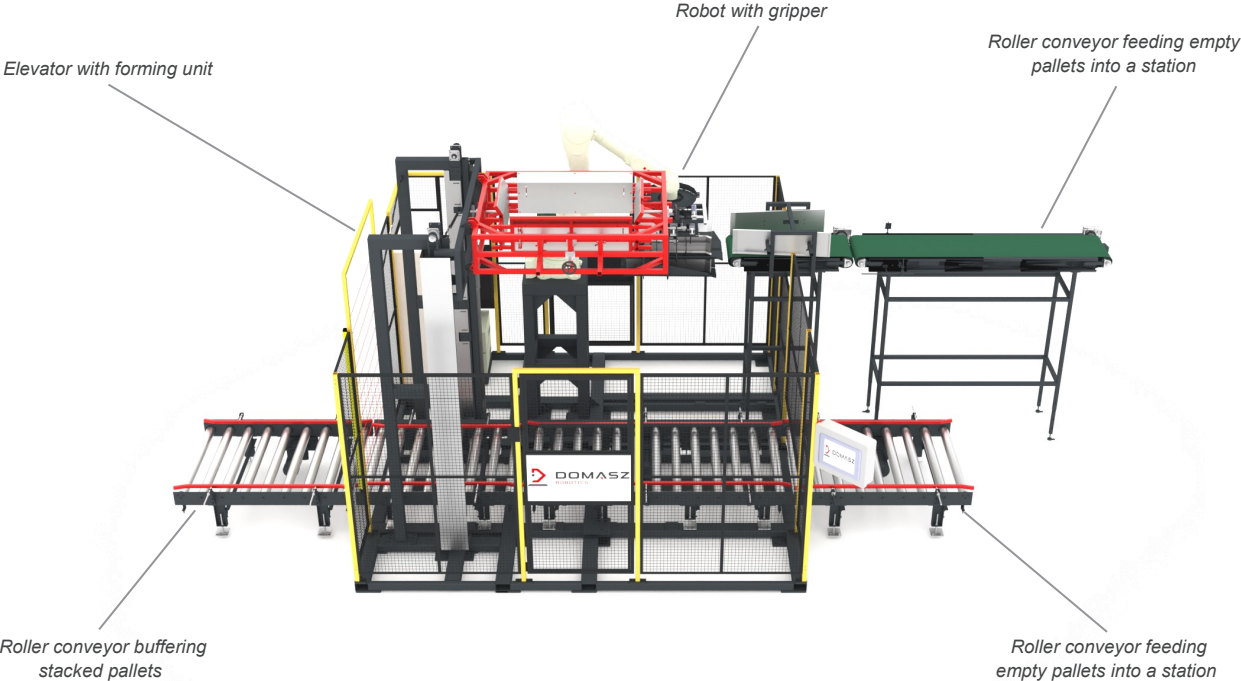
Standard equipment

- Robot with gripper
- Bag supply conveyor
- Roller conveyor feeding empty pallets into a station
- Roller conveyor transporting and buffering empty pallets
- Elevator with forming unit
- Roller conveyor buffering stacked pallets

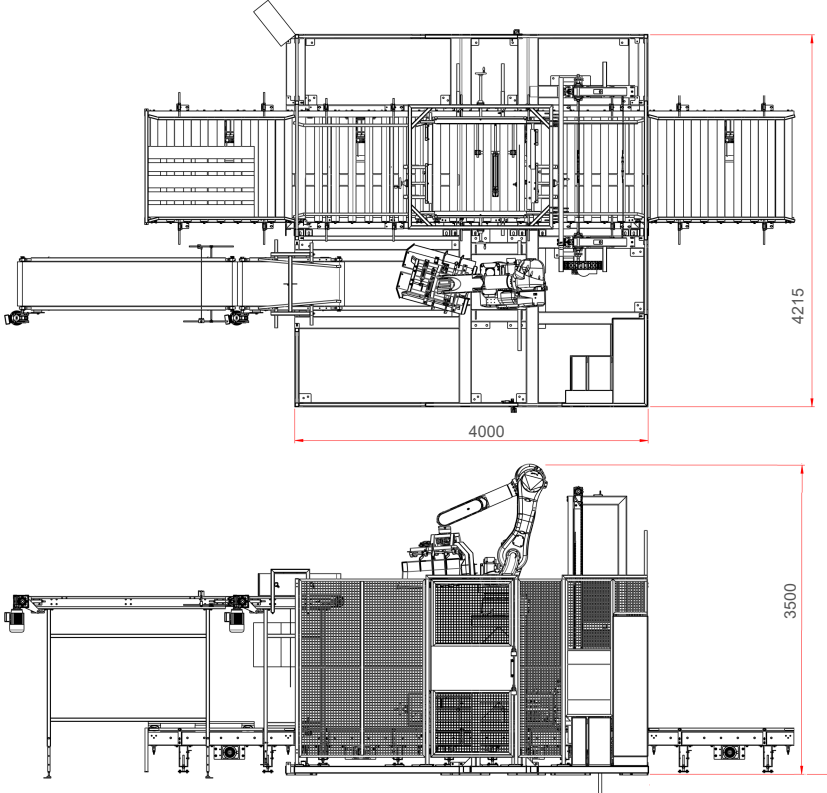
Optional equipment

- Layout of conveyors feeding the bags into the palletiser adapted to specific requirements
- Automatic pallet storage
- Automatic pallet wrapping machine
- Additional buffer for full pallets

Typical PR1-W basic configuration



External dimensions



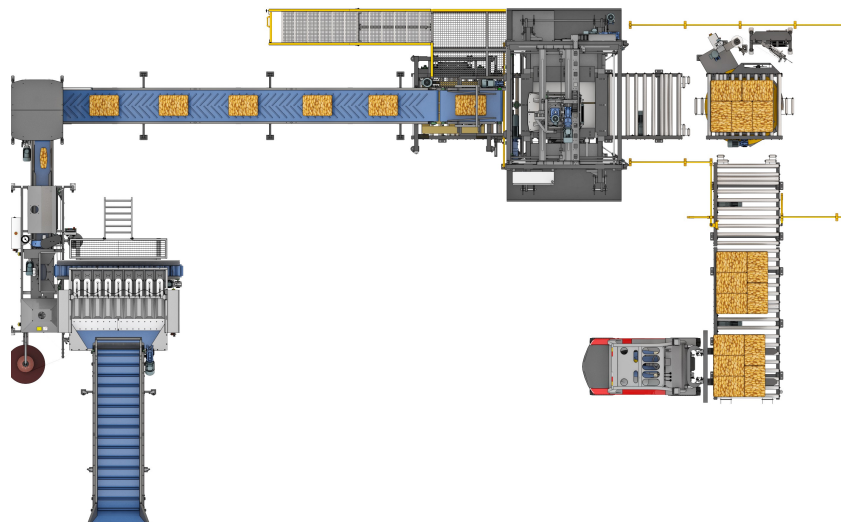
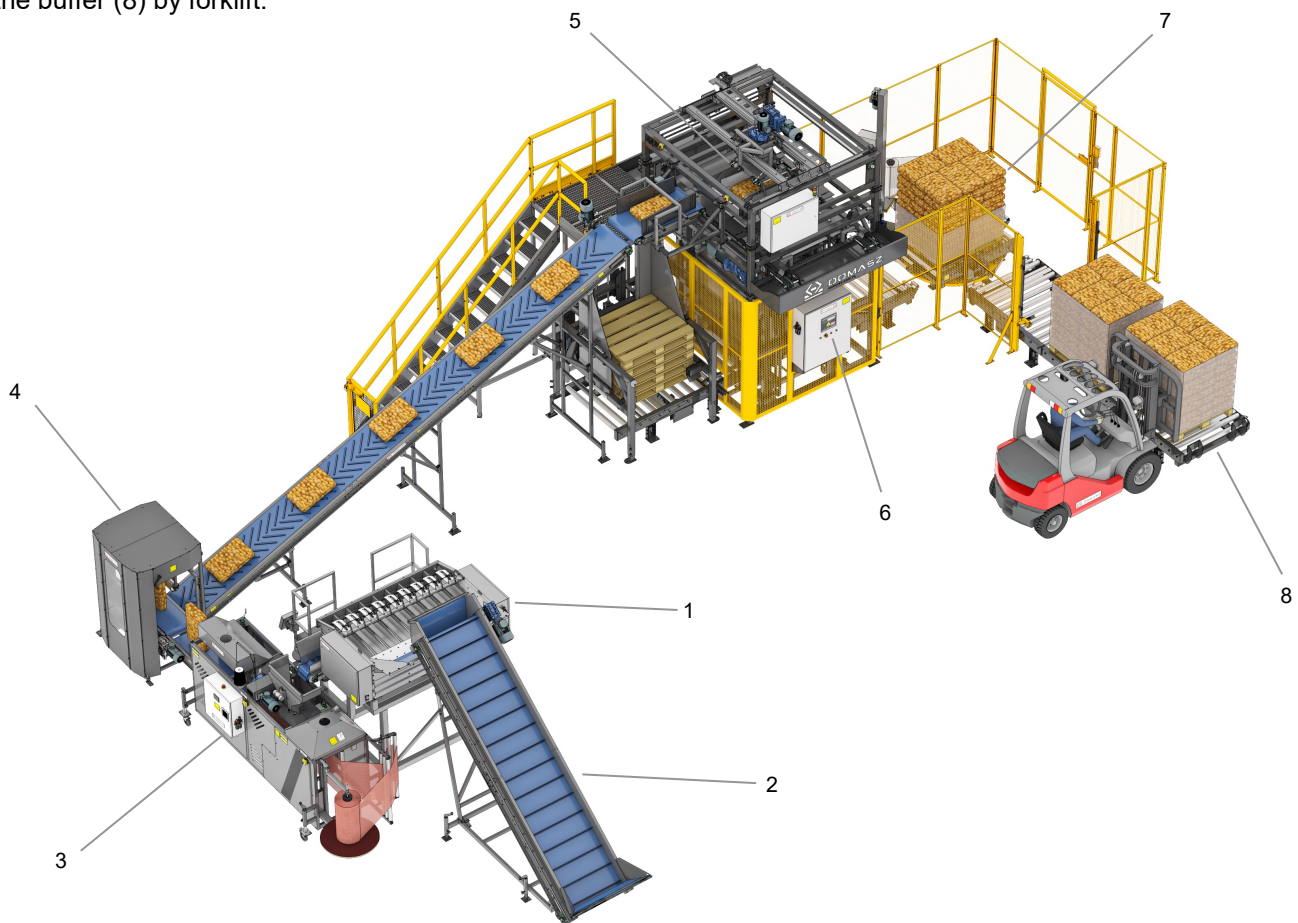
High efficiency vegetable line

R09L, RA-1, PK-4

Description of the solution

Fully automatic solutions for weighing, packing and palletizing 15kg bags of golden onions.

The raw material is fed onto the multihead weigher (1) via a loading conveyor (2). The weigher, after weighing the vegetables with a weight set by the user, feeds the portion into the packaging machine (3). The bags are then rotated (4) and fed to the rotary head (5) of the palletiser. The head arranges the bags according to the layout from the recipe that has been selected on the touchscreen operator panel (6). Once all the layers are in place, the pallet leaves the forming chamber of the palletiser and is wrapped with a net (7). The finished pallets are removed from the buffer (8) by forklift.



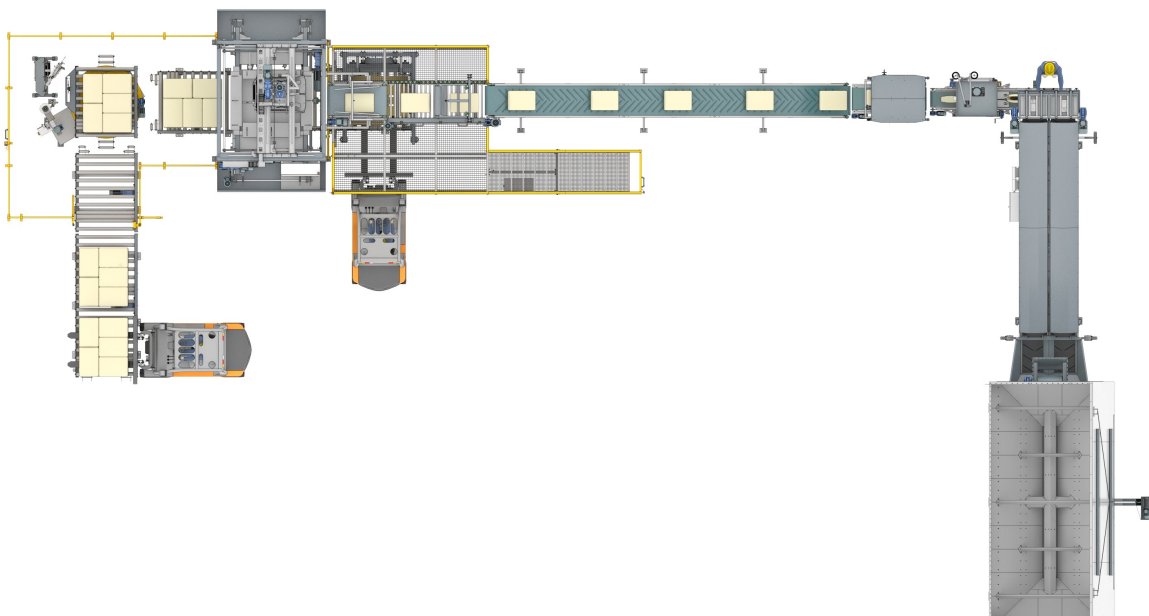
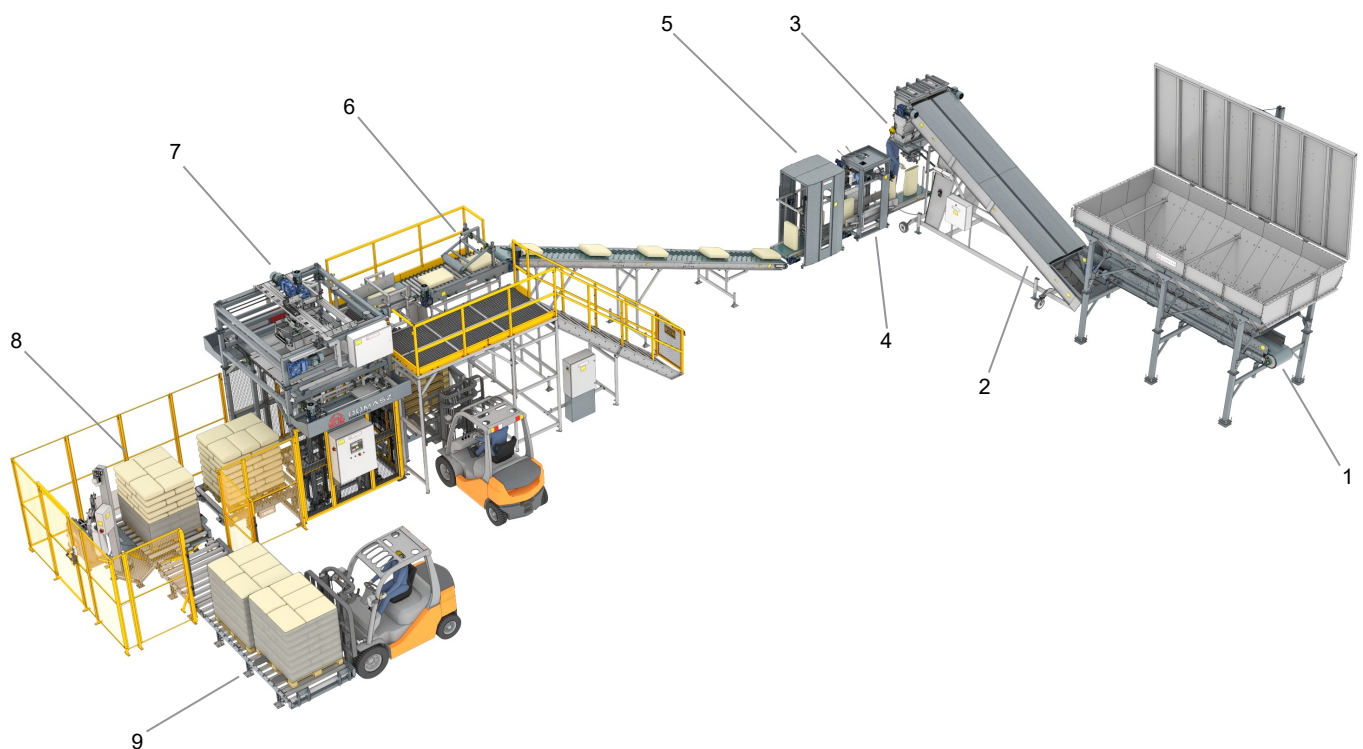
Rapeseed middlings line

WE-50 DUO, PK-4

Description of the solution

A complete solution for the preparation of pallets with 25 kg bags of rapeseed middlings.

Rapeseed middlings is fed from a hopper equipped with a selection conveyor (1), which doses the goods to the WE-50 DUO double belt weigher (2). The weighed portion is fed into a polypropylene bag (3), which is then sealed (4) and set in the correct orientation (5) before being fed into the palletiser. In addition, the sack is compacted and shaped (6) prior to stacking to ensure the correct stability and shape of the pallet. The palletiser (7) places the bags on the pallets, which are then wrapped with film (8). The finished pallets are buffered at the end of the line (9).



Alphabetical index

Automatic washers	13
Bag sealing systems	37
Belt grader	19
Belt selection tables	18
Big-bag weigher	36
Big-Bag weighers	26
Box filler	27
Box pallet tippers	9
Brush cleaners	14
Cartesian palletisers	40
Cost-effective roller selection tables	17
Dosing buffers	10
Dosing buffers with box tipper	11
High-performance vegetable line	48
Hoppers	33
Loose material weighers	34
Mobile reception baskets	6
Multihead weighers	24
Onion sorting	30
Onion tip cutter	21
Polishers	15
Preparation of bags and cartons	31
Push-type palletisers	44
Rapeseed middlings line	49
Raschel bag packing machine	28
Robotised palletising systems	46
Roller selection tables	16
Semi-automatic washer	12
Stationary reception baskets	8
Stone separator	20
Vegetable belt weighers	22
Weighing and packaging of pellets	38

Clauses concerning presented products

- 1. The manufacturer reserves the right to make changes to the design and technical specifications of the equipment without prior notice.*
- 2. The presented photos of the devices are for reference only.*
- 3. The presented dimensions of the devices are for reference only and their actual dimensions may differ from the ones shown in the catalogue.*
- 4. Due to the printing technology, the appearance of the products, including their colour, may differ from that shown in the catalogue.*
- 5. The contents of the catalogue are for information purposes only and do not constitute an offer within the meaning of the Civil Code.*



Complete weighing, packaging and palletizing systems



DOMASZ

Domasz Tomasz Waligóra

ul. Centralna 16
63-012 Dominowo
Poland
TAX ID PL7861660138

Mob. +48 668 456 482
E-mail: domasz@domasz.com.pl
www.domasz.com.pl

